

Reef line kits and sliders

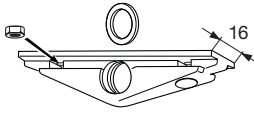
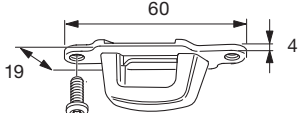
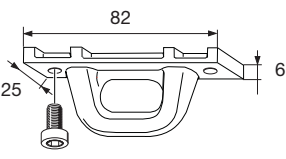
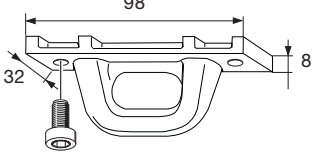
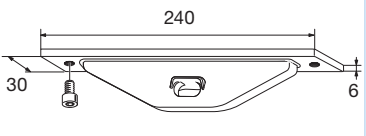


Jam lever kits

Boom section	Art. No.
B135	511-074-21
143/76	511-072-11
B152	511-074-22
B171	511-072-12 (-2007) 511-072-22 (2008-)
B200	511-071-11 (-2007) 511-071-21 (2008-)
B250	511-071-22

Complete kit of colour coded jam levers with pins.

Main sheet sliders

Fitting	Art. No.	Boom section
	511-555-02	86/59
	511-641-01	B087 B104
	511-571-01	B120 B135 143/76 B152 B171 B190*
	511-572-01	B200 B230* B250
	511-616-01	B290 B300

* Webbing is often used as sheet attachment.

Single Line Reef kits

Boom section	Rope dia. mm	Complete kit (reef 1 and 2 + outhaul) Art. No.	Excl. reef lines Art. No.
B120	8	611-007-10*	611-007-11
B135	10	611-011-14	611-011-15
143/76	10	611-011-04*	611-011-09
B152	10	611-011-16	611-011-17
B171	10	611-011-12*	611-011-13
B200	12	611-015-04	-


* Outhaul included.



Lazyjack slider

Two part polyamide slider for Lazyjacks. Fits in the groove without removing the boom end.

For use with Lazyjacks and reef lines for loose footed sails only.

Fitting	Art. No.	Includes	Boom section
	511-636-01	One slider	B120-171
	511-636-02	Two sliders with M6 screws (selftapping) and Ø 5.3 drillbit	
	511-637-01	One slider	B200-250
	511-637-02	Two sliders with M6 screws (selftapping) and Ø 5.3 drillbit	

