

YACHT

ACCESSORIES



INCREASE THE PERFORMANCE OF YOUR YACHT WITH THE RIGHT ACCESSORIES

Seldén manufactures the world's best yacht rig systems. In our search for perfection, no detail is deemed too small for consideration or improvement. Every component makes an active contribution to the performance of the rig. So no matter the size of your boat, whether you push yourself or your equipment to the very limit, or just enjoy leisurely cruising, you should choose Seldén. The same applies whether you are choosing a new rig, or selecting smart rig accessories to sharpen the performance of your current rig.



GET MORE OUT OF SAILING WITH AN EXTENDABLE GENNAKER BOWSPRIT



An extendable gennaker bowsprit from Seldén makes gennaker sailing easier, more efficient and much more fun. You just slide the bowsprit out to its active position whenever you want. Then, when you douse your gennaker, you slide the bowsprit back and secure it to the aft pad eye. The inboard end of the bowsprit is fitted with a spring-loaded plunger for simple attachment to the pad eye. Choose between carbon fibre and aluminium models.

- **Unique end fittings**
- **Gives the gennaker more clear air**
- **Facilitates rapid gybing**
- **Always on standby, ready for use**
- **Easy to stow away**
- **Sold as a kit**
- **Can be fitted to most yachts**



THE 4TH GENERATION OF AN ICON

FURLEX

The fourth generation of Furlex is an uncompromising evolution of the world's best selling jib furling and reefing system. Proven design blended with innovation is our way to maintain the iconic heritage of Furlex.



A Furlex jib furling and reefing system gives you full control of the foresail in all kinds of weather. The principles for reducing rolling resistance, friction and bearing loads have made Furlex the world's most sold jib furling and reefing system. It is available in a wide range of models to suit the many varied wishes and needs of different yachtsmen.



FURLEX ELECTRIC

The push-button performance of a **Furlex Electric** takes the strain out of furling and reefing the sail. Choose between Furlex Electric (for on-deck installation) and **Furlex TD Electric** (for through-deck installation).

It is easy to upgrade your existing Furlex 200S - 300S. Just replace the control lines, drum, and line guard assembly with a Furlex motor unit. You do not need to modify the sail.



FURLEX TD

Choose **Furlex TD** (through-deck) and you will maximise your luff length and boost performance even further. And as an extra bonus, you get more space on the foredeck. Furlex TD is available for forestay dimensions 6-14 mm.



OPERATE YOUR FURLEX AT THE TOUCH OF A BUTTON

Furlex Hydraulic will enable you to conveniently operate the foresail from the cockpit at the push of a button. Most often in combination with a hydraulic furling mast, it is driven by a pump below deck. The design is a harmonious visual interplay of stainless steel and aluminium and adorns a larger boat.





SELDÉN CX AND GX

Want to see your crew smile?

The power and acceleration achieved when unfurling a Code 0 or an asymmetric spinnaker is spectacular. It will make your sailing more fun. Simply hoist the furled sail, release the furling line, pull on the sheet and you have added horse power to your sailing and given your crew a positive sailing experience. To douse the sail, ease the sheet, pull the continuous furling line and secure it in the purpose made Twin-Cam block. Once the sail is furled it is neatly dropped and coiled into a bag. Seldén provide all necessary accessories for safe and carefree furling of “off-the-wind” sails.



Seldén CX



Seldén CXe

Seldén **GX**, for top-down furling of asymmetric spinnakers/gennakers

Seldén GX drum and halyard swivel and an AT-cable is included in the kit. The drum and the halyard swivel are permanently fitted to the sail with the Seldén line lock. Connect the drum to the bow and the spinnaker halyard to the halyard swivel. Lead the furling line to the cockpit by using Seldén Double Fairleads on the stanchions, tighten the furling line and secure it in the Twin-Cam block. There after hoist the furled sail.



Seldén **CX**, for Code 0

The AT-cable is integrated in the luff of the sail and thimbles connect the luff to the drum and to the halyard swivel. Special Cable clamps are required to fit the thimbles to the Seldén AT-cable. A dedicated halyard for Code 0 is required and 2:1 purchase is recommended to obtain the required luff tension and to reduce the load on the halyard sheave and on the line stoppers. The drum and the furling line can be permanently mounted to the bow and along the stanchions.



Seldén **CXe**, electric Code 0 furling system

Easy push button operation of your most powerful sail. CXe25 and CXe45 will furl your Code 0 in seconds. Designed and dimensioned for 38' - 55' boats.



SELDÉN FURLING MAST – PERFORMANCE AND CONVENIENCE ROLLED INTO ONE

Furling made easy. A Seldén furling mast makes fast and easy work of setting your mainsail. And when you furl the sail into the mast, it is stowed away as you roll it in. With a Seldén furling mast you set your sail to suit the wind and weather conditions without leaving the safety of your cockpit. So you combine safety with convenience.

The mast is prepared for vertical battens, to allow for a positive roach on the furling mainsail. A fine combination for yachtsmen who appreciate performance and convenience.



Seldén furling masts are available in manual, electric and hydraulic versions.

SAIL CARS FOR FULL-BATTEN SOLUTIONS

Low friction hoisting and dousing of the sail will please your crew every day of the week. We provide four types of full-batten systems that fit a wealth of different mast sections, new and old, Seldén or other brands.

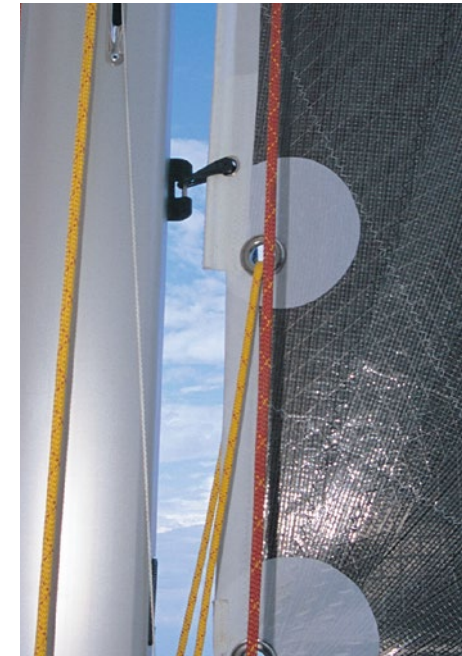
MDS, IWS, OWS and RCB



MDS

Seldén MDS (Multi Directional Support) cars are supported in all directions, making sail handling simpler. The cars have side-load absorbing wheels that run against the guiding flanges in the luff grooves. The interaction between the mast section and the MDS cars deals with longitudinal loads as well as side loads, making it easier both to set and reef the sail. The MDS cars are easy to keep clean and simple to install or remove from the luff groove.

The MDS system is ideal for use with a Seldén Single Line Reef boom. The combination will give you a simple and easily operated system for handling the mainsail in all weathers. The MDS concept has been designed for Seldén C-sections.



IWS Slider

IWS (Inner Wheel Slider)

The four wheel IWS car simplifies hoisting, reefing and dousing and is used for Seldén's newest C-sections. The side load created by the full-batten is taken up by the wheels as the slider tilts to the side and a buffer bearing centers the slider in the groove. The mast groove and the car makes for a perfect match handling loads from all direction without any extra hardware fitted to the mast. The full-batten cars come with a M10 stud and the intermediate cars with a bushing for webbing.



OWS Slider

OWS (Outer wheel slider) is an excellent upgrade from traditional sail slides to reduce friction when hoisting and dousing the main sail.

It fits earlier models of Seldén sections (E-sections and D-sections) and most other mast makes. The four wheels roll on the aft side of the mast section while the slug slides inside the luff groove. The depth and the shape of the slug is designed for dedicated mast sections and there are five different designs to choose between. Our guidelines show you which to select



OWS for webbing



OWS for battens



SELDÉN RCB FULL-BATTEN SYSTEM

RCB (Round Circulating Ball Bearings)

full-batten system facilitates the handling of both full-batten and conventional sails.

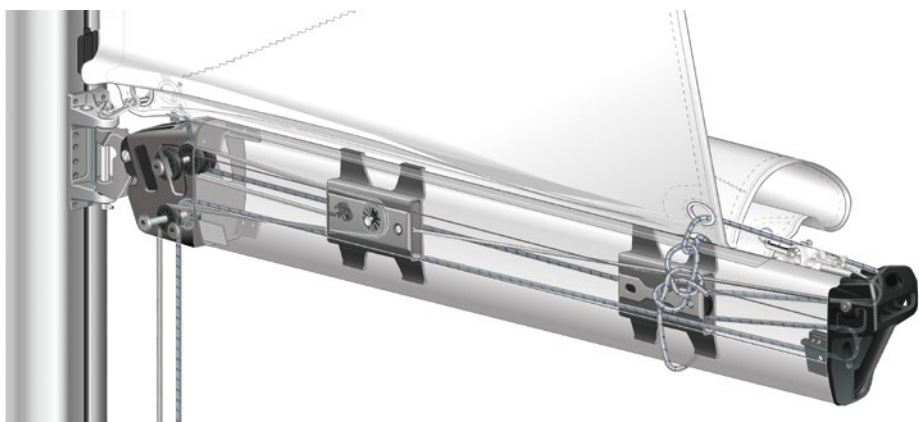
The system, which makes easy work of setting, reefing and dousing the mainsail, uses linear ball races and recirculating Torlon® ball bearings. The cars run with hardly any friction at all, even under the high compression loads produced by full-length battens. The RCB full-batten system is designed for retrofitting to Seldén E-sections and D-sections but can also be fitted to other mast types.



Seldén batten receptacles

Five models of batten receptacles covering boats up to 45'. The two bigger models, FA-22 and FA-30, are adjustable from both front and rear to allow easy adjustment of the batten.

BOOMS WITH A STRONG PROFILE



Seldén booms have a wealth of sophisticated features and can be equipped with a variety of reefing systems to suit different boats and the needs of different sailors. The booms can be fitted for traditional slab reefing or Single Line Reef, or for furling masts. The boom extrusions are relatively deep in relation to their width, allowing a lighter extrusion with high resistance to vertical bending. This makes them perfect for use with modern, stiff sailcloth and efficient Rodkicker rigid vang.

RACING BOOM FOR CONSTANT ALL-OUT PERFORMANCE



Seldén racing boom was developed jointly with sailors and designers involved in international match racing. The design of the boom extrusion, with high vertical stiffness, means that sail trim can be retained even at very high kicker and sheet loads.

SELDÉN RODKICKER



Seldén Rodkicker is an efficient aid for both racing sailors and family sailors. It facilitates sail handling when reefing, and prevents the boom from dropping into the cockpit or onto the coach roof. It also doubles the purchase of your kicking strap. Seldén Rodkicker is available in four sizes for yachts up to approx. 25 tonnes.

The Rodkicker can also be fitted with an integral Seldén gas spring (optional). This lifts the boom when the kicking strap is released, opening the leech of the sail. A Rodkicker with a gas spring replaces the topping lift, making reefing fast and simple. The gas spring is easily retrofitted.



SPINNAKER POLES IN ALUMINIUM AND CARBON FIBRE



Experience the thrill of the wind filling a spinnaker, and you are bound to be hooked on spinnaker sailing. Seldén's complete range of easy-to-use aluminium and carbon spinnaker poles and wide choice of accessories make this exciting sensation a never-failing pleasure for yachtsmen all over the world.



Aluminium poles with end fittings in aluminium or composite

Composite end fittings are available for our Ø48-Ø96 mm poles. Our traditional aluminium fittings for dip gybing are available for Ø72-Ø111 mm sections.

All our aluminium spinnaker pole fittings and composite fittings for Ø72-Ø111 mm poles are available with a trip trigger function. The end fitting is opened with a control line. The sheet then locks it automatically when it is pressed down into the fitting.

All the fittings have well-rounded edges to prevent personal injury and damage to equipment. The extrusions are lightweight and very durable. Pole savers shield the pole against damage from forestay and shrouds.



Much easier to handle. See for yourself!

Aluminium spinnaker pole: Section 99/99 mm, length 5150 mm, weight 16.9 kg.

Carbon spinnaker pole: Section 102/102 mm, length 5150 mm, weight 9 kg.

Carbon spinnaker poles for easy handling

Seldén carbon spinnaker poles are suitable for yachts from 2 to 30 tonnes. The larger poles are tapered to optimise weight/strength requirements and facilitate handling.

Our carbon poles are supplied finished to length. They can be equipped with all types of Seldén end fittings. **Twaron® protection** can be supplied as an option. The Twaron filaments protect the pole from being damaged by the forestay and shrouds.



Aluminium spinnaker poles with special functions

The telescopic pole can be extended to 150% of normal spinnaker pole length – a must when poling out a large genoa or a gennaker. It can also be telescoped down for easier stowage.



The jockey pole reduces the loads and minimises wear on guys and life lines – a necessary aid for efficient spinnaker sailing with improved sheeting angle.



SELDÉN RIG FITTINGS

All Seldén rig fittings are manufactured using the very latest in production technology to achieve maximum durability and corrosion resistance. All design and development work is carried out at the Seldén Group's own development department in Sweden.



Seldén backstay tensioner have a smooth, clean surface. Even the wire terminal is fully covered. This low-weight backstay tensioner is simple to use. All you do is insert a standard winch handle and turn.

Seldén rounded rigging screw covers are kind to your sails, sheets and clothing. Nothing can get snagged or chafed on the rigging screws. So they can be kept well greased without having to worry about staining the sails or sheets.

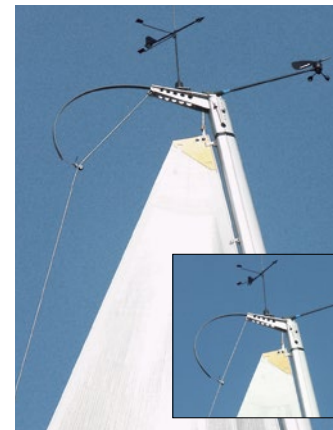


Seldén rigging screws comprise a complete series of products made from a combination of chrome-plated aluminium bronze and high quality, marine grade stainless steel. By making the body of the rigging screw from aluminium bronze, we have reduced the risk of the thread seizing up under heavy loads.



SELDÉN BACKSTAY FLICKER

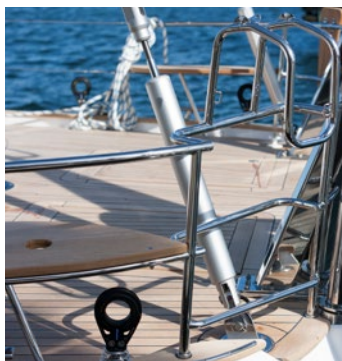
Does the roach of your mainsail stick to your backstay? Just add a backstay flicker. Then, when you release the backstay tension, the flicker will lift the stay and free the mainsail.



HYDRAULIC CYLINDERS



Fast and convenient adjustment of the backstay and the vang is vital both for the racing sailor and for the cruising sailor. Being able to tension the forestay, adjust the pre-bend of the mast and control the power in the mainsail will make any boat point higher, sail faster and under better control. Seldén has developed a range of hydraulic cylinders based on functional design, ease of use, reliability and long service life. The rods are marine grade stainless steel and the cylinders black anodized or clear anodized aluminium. The tensioners have long stroke making it possible to try out different mast rakes.



SELDÉN DECK HARDWARE

The Seldén deck hardware range comprises blocks, cleats and swivels. Every item is carefully designed, developed and manufactured under the strict quality control and attention to detail that is the hallmark of Seldén.

Plain bearing blocks provide great performance in applications with heavy and static loads. Available in 16, 20, 40, 50, 60, 70, 80 and 100 mm sheave diameters.



Ball bearing blocks are used where the loads are more moderate and dynamic. The stainless steel ball bearings provide for good sheave rotation with the lowest possible friction. Available in 20, 30, 40 and 60 mm sheave diameters.



Our new roller bearing blocks designed for high load dynamic applications such as backstay cascades, sheets, spinnaker systems and halyards. Low friction and low weight are the main characteristics for these blocks. Cheeks are of black anodised machined aluminium with Torlon® roller bearings. Delrin® bearings are used for axial loads. PA washer insulates stainless from aluminium to prevent corrosion. Available in 60 and 80 mm sheave diameters. The swivel pin is hollow and chamfered to reduce weight.





High load plain bearing blocks designed for applications in the standing rigging, such as backstay and runner tackles.

The sheave is V-shaped and optimised for wires or 100% HMPE rope. Block cheeks are smooth, electro polished stainless steel. Available in 45, 60, 80, 100 and 130 mm sheave diameters.



Ratchet blocks make it easy to advance your grip when hauling in the sheet, and then hold the tension with minimal effort. The perfect combination of control and convenience. Available in two versions. 45 mm automatic ratchet block and 60 mm manual ratchet block.



Soft attachment block Go for low friction and low weight combined with a soft and flexible assembly. Our range offers three sheave sizes. Choose between the complete assembly including a Dyneema lashing or just the block itself.



The eye swivel is designed for control lines close to the deck, as with dinghy jib sheets. The swivel can also be used on bigger boats if the purchase of the tackle is sufficient. One eye swivel on each side of the coach roof is an ideal set-up for the vang. The crew on the rail can easily reach the vang to prevent a broach. The angle of articulation is easily adjusted with two screws. The swivel turns on stainless steel ball bearings for durability. The eye swivel is made of glass fibre filled polyamide with an electro polished, stainless steel line guide.

The deck swivel articulates to follow the movements of the trimmer. Used for main sheets on keelboats and smaller yachts. Can also be used on larger boats if the purchase of the tackle is sufficient. The materials used are composite and stainless steel.



The mast swivel leads the line with full articulation towards the trimmer. The swivel is made of composite, 50/50 glass fibre/polyamide. It is mainly used for Cunningham, Spinnaker and Gnav etc. The sheave has two optional positions, either for lines coming from above or from below. The mast swivel can be fitted “up-side-down” depending on desired orientation of the cam cleat. The sheave is of ball bearing type.



Seldén cam cleats c-c 27 mm and c-c 38 mm are made of carbon fibre reinforced polyetherimide. Also available in aluminium for high resistance to friction heat.



Valley cleats. This type of cleat is available in several versions for many different applications. The polyamide cleat is ideal for low load applications whereas the aluminium cleats prevent rope burn under higher load.



Seldén Valley cleats are designed and produced by Clamcleat Ltd, UK.

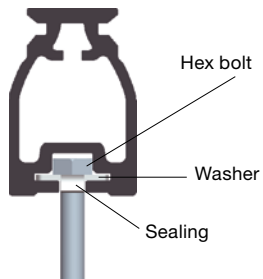
TRACKS AND TRAVELLERS

Seldén's tracks and travellers are designed with the same passion for sailing and attention to detail that has become a hall mark for Seldén. The ability to easily adjust the position of a traveller contributes to efficient and pleasant sailing both for the racing sailor as well as for the sailor out there just for pure pleasure. You simply manage active sailing for a longer period of time, which naturally influence the boat speed in a positive way. Ergonomics and low friction are key words for these products.

MAIN SHEET SYSTEMS



GENOA SHEET SYSTEMS



Upgrading to new tracks

The sliding bolt track is ideal for retrofit upgrades. The fasteners can be located according to the existing bolt holes. This track is also used for applications where the bolts are to be hidden.

SELF TACKING SYSTEM 22, 30

A self-tacking jib makes life on board a lot easier, in particular for short handed crews. The jib sheet is led to a car which moves to leeward during the tack with no need to touch the sheet. Tacking is as simple as steering the boat through the wind.



COMPLEMENTARY HARDWARE

Fixed pad eyes

Forged and electro polished fittings to attach tackles, cascades, halyard blocks and plenty of other items.



Foldable pad eyes

These foldable padeyes are used to attach life lines, stay sail furlers, blocks for down haul and barber haulers just to give a few examples. To be able to fold down the eye when not in use is a blessing for bare feet crew members.





Double Fairlead

This brilliant fitting is used to lead a continuous furling line from a Seldén CX or Seldén GX system along the stanchion, back to the cockpit.

The Double Fairlead prevents the line to get tangled up and the smooth stainless bracket prevents friction.



Low friction rings

A low friction ring is a simpler and lighter alternative to a plain bearing block. They are produced in black anodised aluminium and feature a big inner radius for low friction and an outer slot for attachment of a line or rubber cord. Suitable applications are backstay cascades, barber haulers, kicker tackles or any other application with static load.



Snap shackle adaptor

A quick fix for any application you want to attach and remove quickly, for example runners and check stays. Just replace the standard shackle with a snap shackle.



Low friction shackle

This new snap shackle has a big, well rounded loop allowing the rope to slide with low friction. A typical application is a spinnaker barber hauler. Connect the shackle to a single block for a 2:1 purchase. The shackle is made of high strength Duplex steel and has a quality mirror finish.



ORGANIZERS



Ball bearing sheaves absorbing side loads.

Seldén deck organizers keep the deck tidy and lead the ropes back to the cockpit. The acetal sheaves have ball bearings absorbing side loads from a rope entering the organizer with a vertical angle. The result is low friction making hoisting and trimming of sails fast and easy. The organizers can be fitted to a slightly curved surface and two organizers can be stacked on top of each other. The deck organizers are made of glass fibre reinforced composite.

E40i - The easily placed winch

The coach roof is the normal place for a winch that operates halyards, reef lines, outhaul and control lines.

The E40i winch is built up around an electric motor which is totally integrated in the drum. Only three thin cables are protruding to lead through the coach roof or the deck, no large cutouts and no external motor or gearbox. This makes for uncompromised headroom down below.

No sweat

Hoisting your main will no longer be a struggle. Self-tailing function and 3-speed operation makes E40i ideal for any line where you need the combination of speed and fine-tuning.



Seldén - from the deck up



For more information on the Seldén range, see our product catalogue or visit:

www.seldenmast.com

DINGHIESKEELBOATSYACHTS

The Seldén Group is the world's leading manufacturer of mast and rigging systems in carbon and aluminium for dinghies, keelboats and yachts.

The Group consists of Seldén Mast AB in Sweden, Seldén Mast A/S in Denmark, Seldén Mast Ltd in the UK, Seldén Mid Europe B.V. in the Netherlands, Seldén Mast SAS in France, Seldén Mast Inc. in the USA.

Our well known brands are Seldén and Furlex. The world-wide success of Furlex has enabled us to build a network of over 750 authorised dealers covering the world's marine markets. So wherever you sail, you can be sure of fast access to our service, spare parts and know-how.

www.seldenmast.com

SELDÉN and FURLEX are registered trademarks of Seldén Mast AB.

Dealer

 **SELDÉN**
for sailing