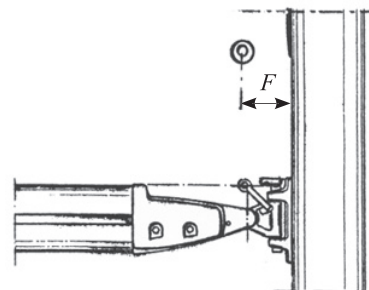


Single line reef system 85/58, 86/59, 111/75 and 128/90

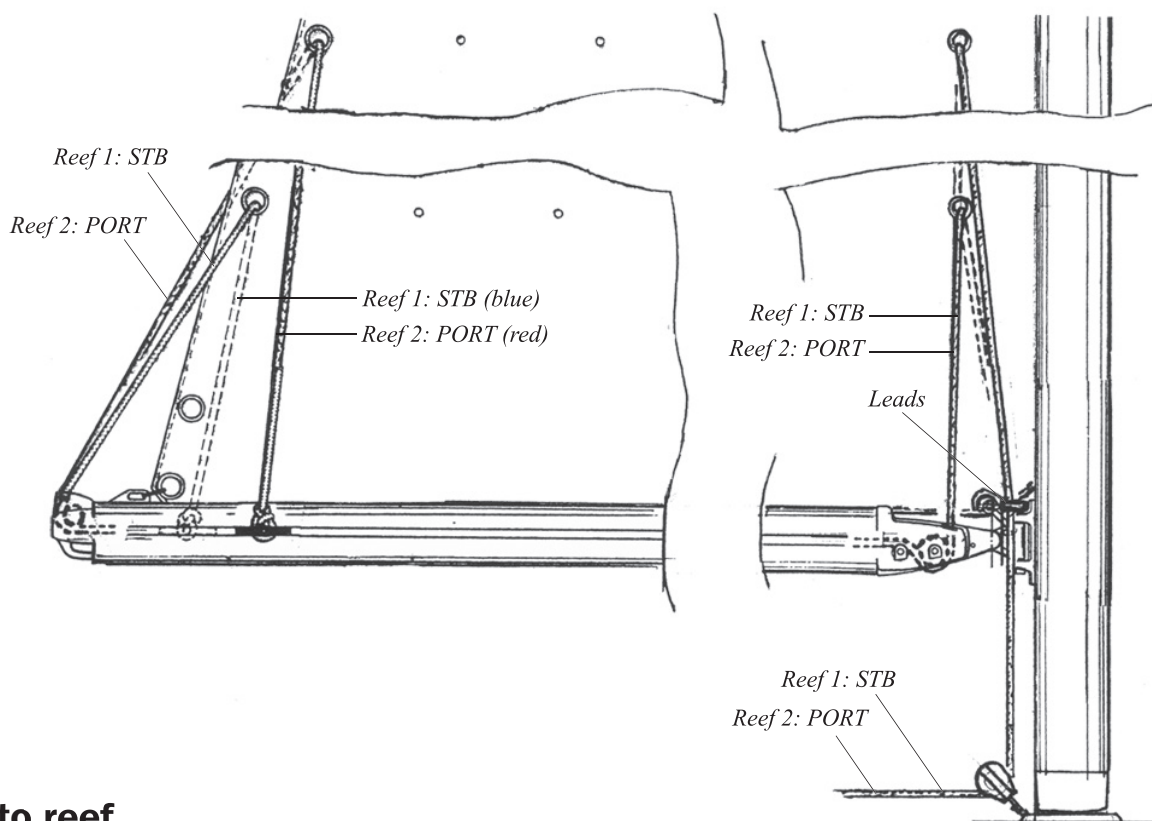
1. The sail

The reef cringle offsets must be according to the table/sketch below.
For other sail details see "Sailmaker's Guide" (595-542-E).

Boom	F
85/58, 86/59	100
111/75	120
128/90	120



2. How to feed the reef lines



3. How to reef

1. Pull the reef line until the outboard end of the boom is close to the outboard reef cringle.
If a rodkicker is fitted, it is not always possible to get the boom end and the reef cringle close to each other, before the two tubes of the rodkicker separate. To avoid this, make a stopper knot on the kicker tackle, which limits the extension of the kicker.
2. Lower the main halyard to a preset marking.
These markings, one for each reef, should be located so that the main luff achieves the desired tension when the reefing procedure is completed.
The correct locations of these markings are found during step 3 described below.
3. Pull the reef line to tighten the luff and remove any remaining reef line slack at the outboard end of the boom.