

# At your service, worldwide



The Seldén Group consists of  
Seldén Mast AB in Sweden,  
Seldén Mast A/S in Denmark,  
Seldén Mast Ltd in the UK,  
Seldén Mid Europe in the  
Netherlands and Seldén Mast

Inc in the USA. In addition, Seldén has built  
a network of authorised dealers and service  
centres covering the world's marine markets.  
So wherever you sail, you can be sure of fast  
access to our service, spare parts and know-  
how. Just surf in on our web site –  
[www.seldenmast.com](http://www.seldenmast.com) – to find your nearest  
Seldén service centre.

**Seldén Mast AB, Sweden**  
Tel +46 (0)31 69 69 00  
Fax +46 (0)31 29 71 37  
e-mail [info@seldenmast.com](mailto:info@seldenmast.com)

**Seldén Mast Limited, UK**  
Tel +44 (0)1489 48 40 00  
Fax +44 (0)1489 48 74 87  
e-mail [info@seldenmast.co.uk](mailto:info@seldenmast.co.uk)

**Seldén Mast Inc., USA**  
Tel +1 843-760-6278  
Fax +1 843-760-1220  
e-mail [info@seldenus.com](mailto:info@seldenus.com)

**Seldén Mast A/S, DK**  
Tel +45 39 18 44 00  
Fax: +45 39 27 17 00  
e-mail [info@seldenmast.dk](mailto:info@seldenmast.dk)

**Seldén Mid Europe B.V., NL**  
Tel +31 (0)111-698 120  
Fax +31 (0)111-698 130  
e-mail [info@seldenmast.nl](mailto:info@seldenmast.nl)

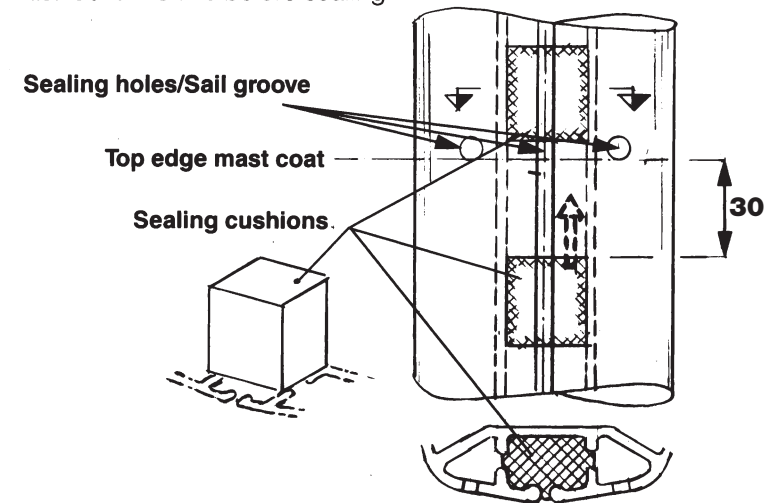
## Sealing of open conduits

Masts with open conduits are provided with a red warning label located above the mast coat.

Additional cables, if any, should be fitted before sealing, see instruction K 13 (595-557-E), off-print enclosed.

Enclosed **sealing pack 2** (312-301-02) contains:  
1 tube silicone rubber  
1 bottle with glue (100 ml) for secondary sealing.  
1 piece of foamed plastics (to fit cables acc. to instr. K 13)

1. The sealing procedure must be carried out in dry conditions.
2. The mast looks like this before sealing:



3. Silicone rubber is injected, at first into the two holes, then into the sailgroove.
4. Cover both holes and sailgroove (above mastcoat) with adhesive tape (or fingers of one hand).
5. Push the lower cushion upwards, so that the silicone is squeezed out at the holes and groove. The clearance between the cushions must not be less than ca 7 mm (=hole diameter).
6. Remove the warning label.

If the mast, despite this sealing, is leaking, secondary sealing is carried out acc. to enclosed instruction.

# Off-print from "How to fit cables" (595-557-E)

## Fitting instruction 1A

### 1. Equipment

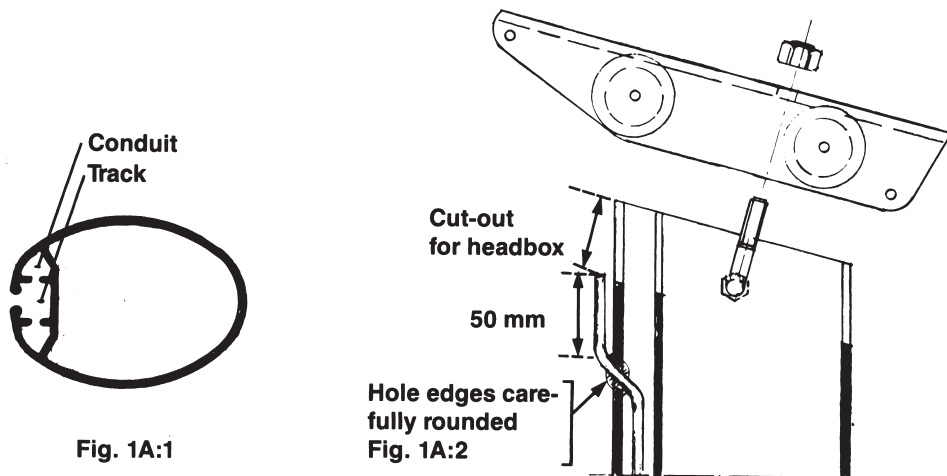
- cables
- cushions of foamed plastics, closed cells (approx. 20×20×20 mm)
- adjustable spanner
- drill
- drillbit (diameter: approx. 4 mm bigger than cable diameter)
- bent strip of plate 15×1,5 length=100 mm
- 0,5 m thin line (ø3 — 4 mm)
- silicone compound

### 2. Preparation

The cable conduit is open towards the sail track (see fig. 1A:1) along the entire extrusion, apart from at headbox, deck level (keelstepped masts) and heel.

Remove the headbox by removing the nuts on the "top" of the box and lift the box upwards. Drill hole(s) for the cable(s) at the conduit(s) approx. 50 mm below the cut-out for the headbox. Be careful so that you do not damage any existing cables. If the headbox has double sheaves, fit the cable in the conduit "opposite" the main halyard side.

To minimize the risk for chafe, drill the hole at an angle to the mast and round the edges carefully. Some silicone compound or similar contributes to a smoother passage, see fig. 1A:2. (For some cables there are special "bushings".) Holes, for example at the spreader level for flood lights, are carried out in the same way. The heel fittings are provided with exit holes see fig. 1A:3.



### 3. Procedure

The cable is pulled upwards from the heel with the help of a piece of line, see fig. 1A:3. Alternatively you can make an eye at the end of the cable according to fig. 1A:4. Put a small screwdriver through the eye and pull the cable along the conduit to the top of the mast. Feed it through the drilled exit hole.

The cable must be secured to prevent ratteling and to avoid that its total weight is suspended from the top exit. The best way is to squeeze small cushions of foamed plastics (closed cells) into the conduits.

To pass the boom bracket and trackgate, use the messenger and a "long" hook. Screw-fixed trackgates can easily be removed.

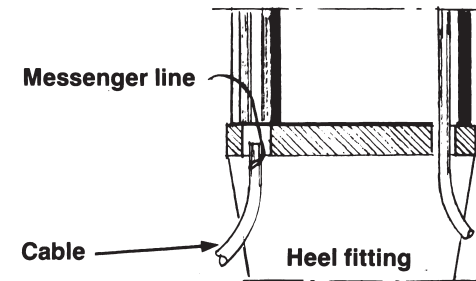


Fig 1A:3

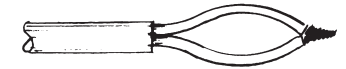


Fig 1A:4

The size of the cushions depends on the remaining area of the conduits after the cables have been fitted. At first try 20×20×20 mm and fit according to fig. 1A:5a-5c. It is a little tricky in the beginning but the technique comes quite quickly.

One cushion every 0.6 m provides a sufficient securing. The advantage, compared to glueing the cables, is that the cushions could be removed if the cable is to be removed (repair or exchange).

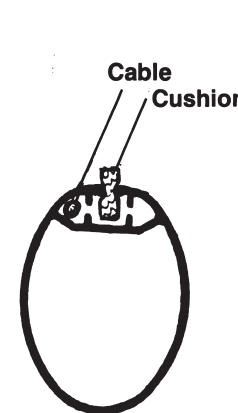


Fig. 1A:5a

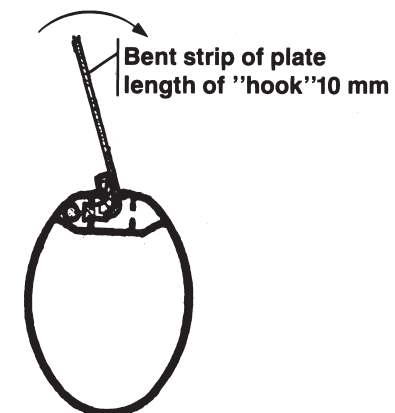


Fig. 1A:5b



Fig. 1A:5c