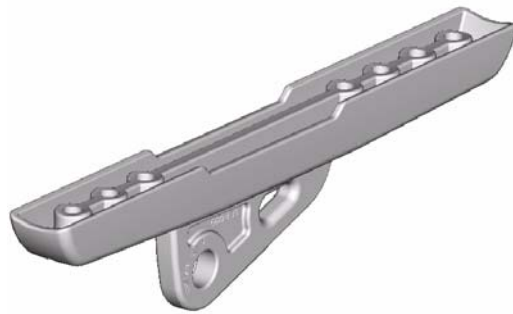


Mounting instruction

Universal kicker slider

Kit no. 508-403-01 (screws) alt. 508-403-02 (rivets)



Fasteners: MRT M6x20 screws alt. rivets are included in the kit. Any stainless M6 or 1/4" cheese headed screws can be used. Minimum length 20 mm (5/8").

Tools needed:

Drill bit \varnothing 5-5.2 mm (screws)

Thread tap M6 (screws)

Drill bit \varnothing 6.5 (rivets)

Torx-Key T30

Pen for marking

Riveting tool (rivets)

Mandrel ~3 mm (rivets)

Note!

Booms without slider track:

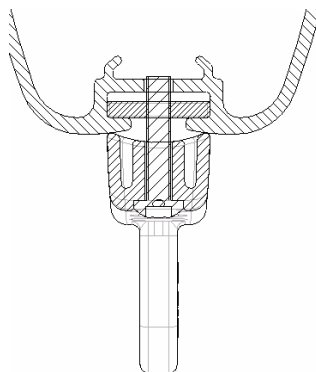
If the wall thickness is less than 3 mm (1/8"), rivets (stainless or Monel) should be used.

Monel rivets: Seldén Mast part no. 167-027

Booms with slider track:

Make a backing plate of a stainless strip or sheet metal (min thickness 3 mm / 1/8") acc. to the figure and screw or rivet the slider to the backing plate.

(For Seldén booms with track, suitable sliders are available.)



 **SELDÉN**

www.seldenmast.com

Mounting 

Mounting:**508-403-01 (Screws)**

1. Adjust the bracket so that it's aligned with the boom.
2. Mark out the outer holes with a $\varnothing 6.5$ mm (~1/4") drill bit or a pen.
3. Drill holes $\varnothing 5$ mm and tap M6 or similar imperial.*
4. Screw the bracket to the boom.
5. Mark out the five remaining holes acc. to step 2.
6. Remove bracket for better access to finish the five M6 holes.
7. Fit the insulator. Apply locking adhesive to the screws and fit the bracket firmly. Do not overtighten. If a thread would fail, drill and fit a rivet (part no. 167-027)

508-403-02 (Rivets)

1. Adjust the bracket so that it's aligned with the boom.
2. Mark out the two outer holes with a $\varnothing 6.5$ mm (~1/4") drill bit or a pen.
3. Drill $\varnothing 6.5$ mm.*
4. Fit the insulator.
5. Rivet the bracket to the mast.
6. Drill the remaining $\varnothing 6.5$ holes and fit the remaining rivets.
7. Knock out the remains of the rivet pin with the mandrel.

*) **CAUTION!** Reef lines etc. inside boom.

To avoid damage when drilling holes, use a depth stopper on the drill bit.