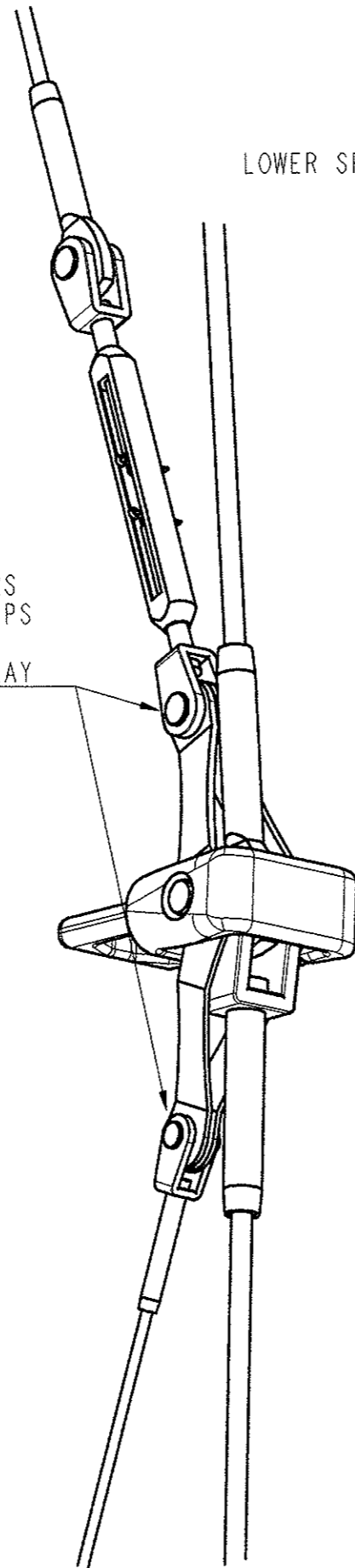
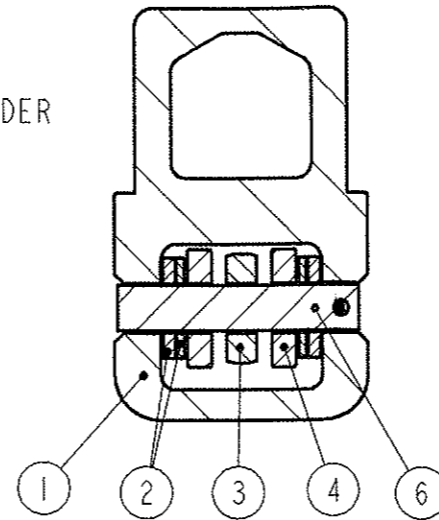


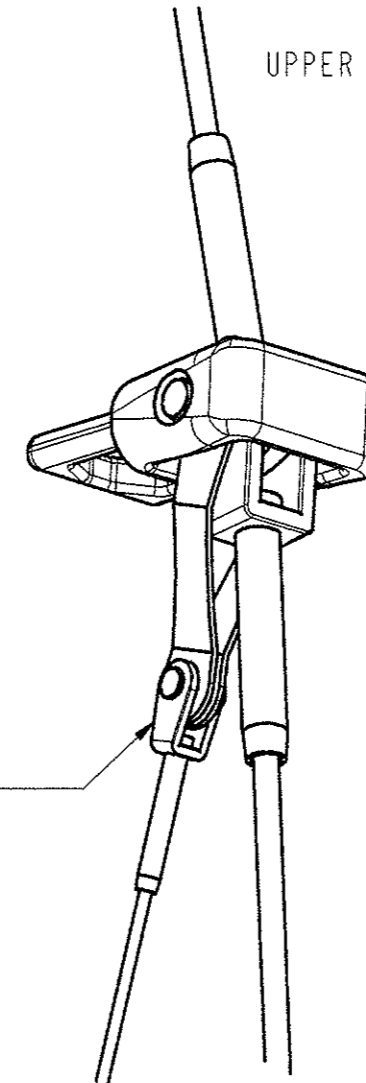
NYLON WASHERS  
BETWEEN STRIPS  
TO FILL OUT  
EXCESSIVE PLAY



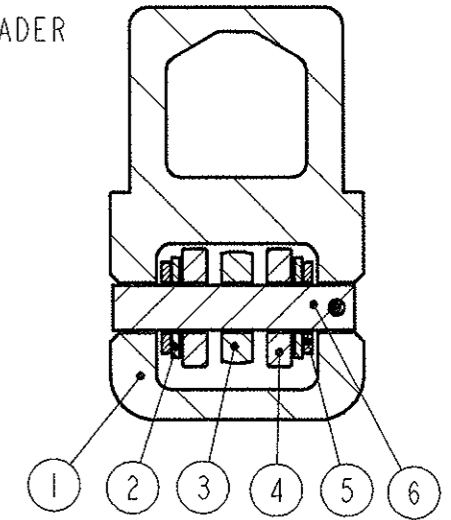
LOWER SPREADER



NYLON WASHERS  
BETWEEN STRIPS  
TO FILL OUT  
EXCESSIVE PLAY



UPPER SPREADER



6	-	PIN	-	-	-
5	-	NYLON WASHER	-	-	-
4	-	FORK	-	-	-
3	-	EYE	-	-	-
2	-	STRIPS	-	-	-
1	-	END PLUG	-	-	-
Item	Qty	Description	Dimension	Material	Part No

**SELDÉN**  
Gothenburg Sweden

Tel: No 031-696900    Telefax: No 031-297137  
Int: +46 31 696900    Int: +46 31 297137

Tolerance to SMS 715.....  
unless otherwise stated

LINKED DOUBLE SPREADER RIG  
BERGSTRÖM / RIDDER

File |

Drawn MAL    Date 980415    Scale -    Replacing/Replaced by    Approved    Dwg No 595-112-E

No	Qty	Revisions	Date	Sign