

RCB, full-batten system

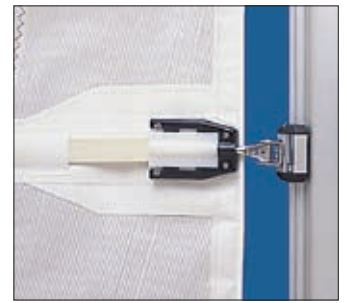
For retro-fitting on E-sections and D-sections

The Seldén RCB (Round Circulating Ballbearings) full-batten system facilitates full-batten sail management, and makes it much easier to set and reef the mainsail. The system is based on linear ball races and recirculating balls. The cars run with hardly any friction at all, even under the high compression loads produced by full-length battens.

The track and cars are made from aluminium which, together with Torlon ball bearings, makes the system strong and durable.



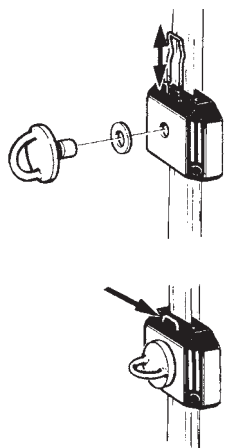
RCB batten car with eye.



RCB batten car with M10 bolt.

Universal

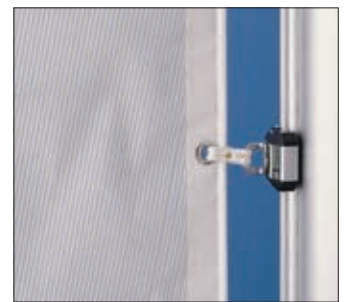
The attachment can be used in conjunction with most batten fittings. It provides the full freedom of movement so essential for easy operation and long life.



Locking fork, Art. No. 511-591.
Plastic washer, Art. No. 164-039.



Easy to fit.



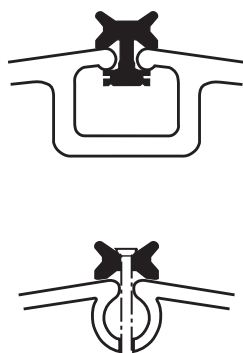
Practical

The swivel fitting can easily be removed from the car – an advantage when the sail is to be fitted or removed from the mast. It can also be sent separately to the sailmaker for fitting to the sail.

High performance lubrication



Lubrication for Torlon® ball bearings,
Art. No. 312-534.
One drop will do!



Easy to fit

The RCB track, which comes complete with screws and special nuts, is easy to fit on a Seldén mast. Just push the track into the original mast groove and tighten up. The attachment system is tailored to Seldén masts, but it will also fit those with a similar luff gap (approx. 6 mm or 1/4"). Other masts can be fitted with the track by screwing it directly in place.

For Isomat, see remarks on next page.

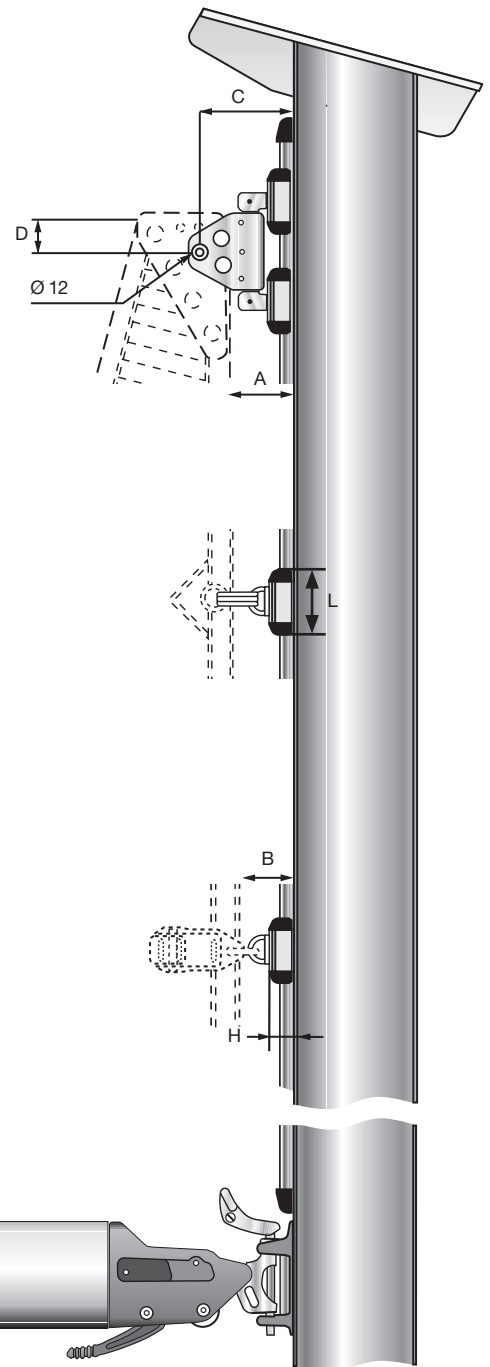
Description		Reference	Dim., mm
Headboard toggle*		A	Min. 59
		C	96
		D	40
Batten fittings	Rutgerson: No 1490 (eye)	B	56
	No 1580/No 1590 (M10)	B	56
	Aquabatten: SDA-A 41219	B	73
	A453 (M10)		
Cars		H	26
Length over all, mm		L	72.5

* Clevis pin = Ø 10 mm Hole in head board toggle = Ø 12 mm

Standard		
Righting moment at 30° heel	Masthead	70 kNm
	Fractional	50 kNm
Approx. displacement	Masthead	12-14 tonnes
	Fractional	8-10 tonnes
Heavy duty		
Righting moment at 30° heel	Masthead	120 kNm
	Fractional	90 kNm
Approx. displacement	Masthead	20-24 tonnes
	Fractional	15-18 tonnes



Black anodised RCB car with lightening holes. Used for carbon masts. Art. No. 511-703-11.



Description	Art. No.	Remarks	
Track	Complete extrusion set including connection pieces and fastenings. L = 12850 mm**	515-525-12	* Fasteners for Isomat/Sparcraft masts NG60, NG70, NG80, NG86, NG105 (sail groove slot 14 mm) Fasteners for extrusion set (L = 12850 mm): Art. No. 515-561-10 Fasteners for extra extrusion (L = 2300 mm): Art. No. 515-561-01 Additional set of fasteners for heavy duty application (L = 2300 mm): Art. No. 515-561-03
	Extrusion set excluding connection pieces and fastenings. L = 12850 mm*	515-525-22	
	Extra extrusion length including connection piece and fastenings. L = 2300 mm**	515-525-11	
	Extra extrusion length excluding connection piece and fastenings. L = 2300 mm*	515-523-02	
Cars	Headboard cars without toggle	2 x 511-581-11	** Fasteners for Isomat/Sparcraft masts 1-260 and 1-330 (sail groove slot 5 mm). Fasteners for Seldén masts can be used. *** For carbon masts.
	Car without eye	511-581-11	
	Black anodised car with lightening holes, excl. eye/M10 bolt***	511-703-11	
Fittings	Headboard toggle	511-595-11	
	M10 bolt	511-598-01	
	Eye (Sailcar)	511-590-01	
	Extra set of fastenings for 2300 mm heavy duty extrusion.	515-535-03	