

General information

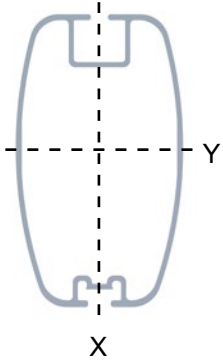
This part list does not list the variations, but gives the maximum quantities that each boom end-fitting can be fitted with for each part number. The boom end-fittings can thus easily be fitted with supplementary parts at a later date. Because the same spareparts drawing is used for all gooseneck end-fittings or for all outboard end-fittings, more items are often shown on the drawing than can actually be fitted.



Nor are the spares drawings necessarily identical to the parts listed.

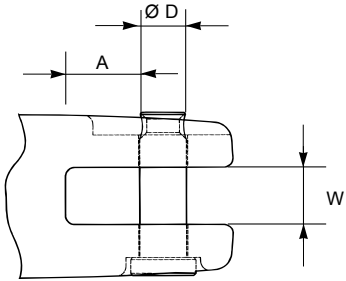
"Inboard and Outboard boom end" have numbers and letters marked at most of the sheave slots. Outhaul normally use the O-slot, Reef 1 the 1-slot, Reef 2 the 2-slot etc.

Boom specifications

	Boom section Height/width(mm)	ly (cm ⁴)	lx (cm ⁴)	Wall thickness (mm)	Weight 0/+20% (kg/m)	Wy min (cm ³)	Wx min (cm ³)	Sail groove (mm)
	B153/86	438	132	2.7	3.62	55.2	30.8	10+-0.75
	B172/98	720	219	3.1	4.65	81.5	44.7	10+-0.75
	B199/122	1257	407	3.2	5.9	124.6	67	10+-0.75

Dimensions inboard boom end

Boom section	A mm	D mm	W mm
B153	13	12	20,5
B172	14	12	20,5
B199	20	16	30,5



Seldén Mast AB reserves the right to alter the design or specification without prior warning, to allow unrestricted future product development.

Contents

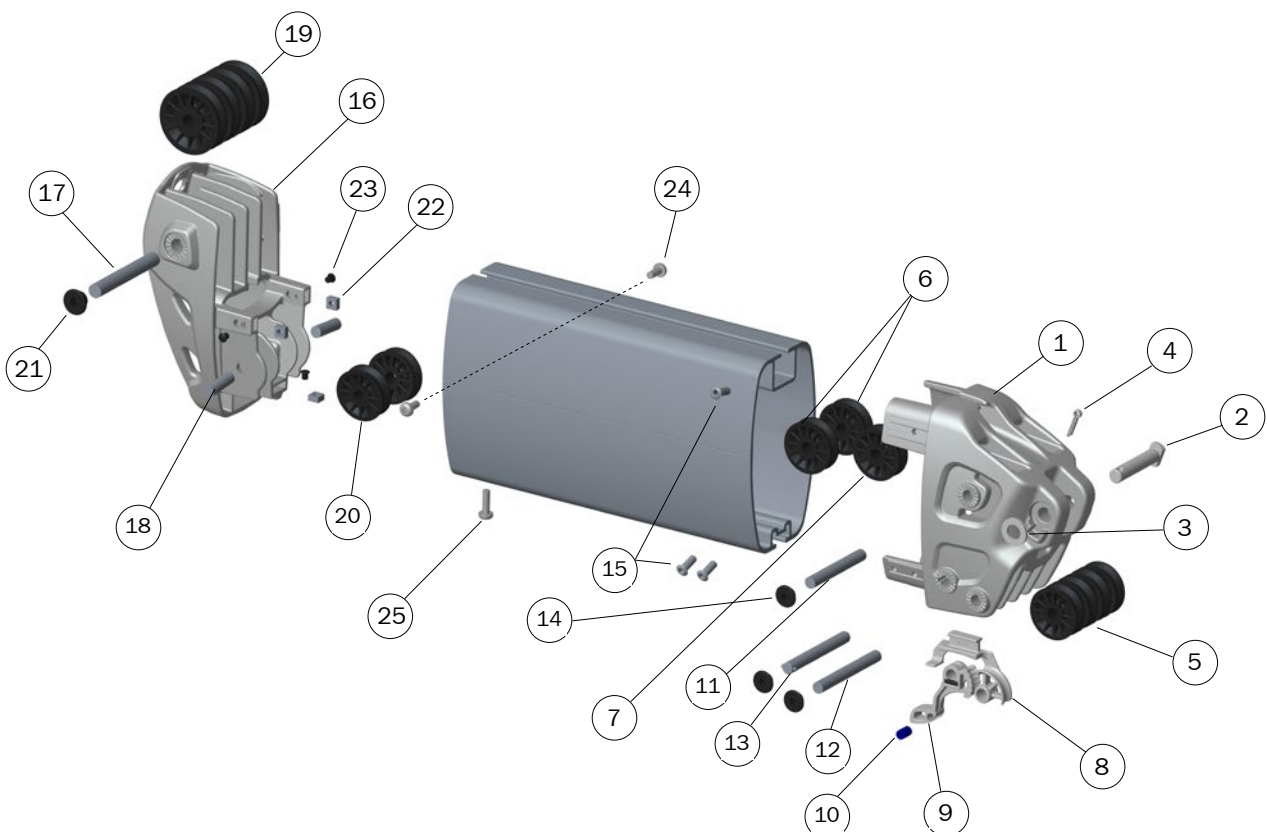
	<i>Page</i>
General information	2
Dimensions	2
Spare parts inboard and outboard ends	
<i>B153</i>	4
<i>B172</i>	5
<i>B199</i>	5
Outhauls	
<i>B153, B172, B199</i>	6
<i>Package</i>	7
Sliders	8
Single line reef	9

Inboard boom end B153

Item	Discription	Dimension	Qty	Part No.
1	Inboard end fitting	B153	1	509-113
2	Clevis pin	Ø12x56	1	165-426
3	Washer	M12	1	164-404
4	Split pin	3.7x18	1	301-061
5	Sheave (fwd)	Ø45/10-11	4	504-504
6	Sheave (SLR)	Ø45/10-11	2	504-504
7	Sheave (outhaul)	Ø38/10-11	1	504-505
8	Jammer housing	65x47	4	511-277
9	Jammer lever	71x12	4	511-278-01
10	Plug – (set of six colours)	Ø8x12	1	319-529-01
11	Shaft (upper)	Ø10x67	1	166-466
12	Shaft (fwd)	Ø10x77	1	166-446
13	Shaft (jammer)	Ø10x77	1	166-465
14	Retaining plug	M12	3	319-828
15	Pop rivet	ø6.4x12.7	6	167-004

Outboard boom end B153

Item	Discription	Dimension	Qty	Part No.
16	Outboard end fitting	B153	1	500-113
17	Shaft (upper)	Ø10x77	1	166-446
18	Shaft (SLR)	Ø10x31	2	166-442
19	Sheave (upper)	Ø45/10-11	4	504-504
20	Sheave (SLR)	Ø45/10-11	2	504-504
21	Retaining plug	M12	3	319-828
22	Square nut	M6	3	157-509
23	Retaining plug	Ø5.5x8	3	319-650
24	Screw	MRT 6x14	2	155-623
25	Screw	MRT 6x16	1	155-610

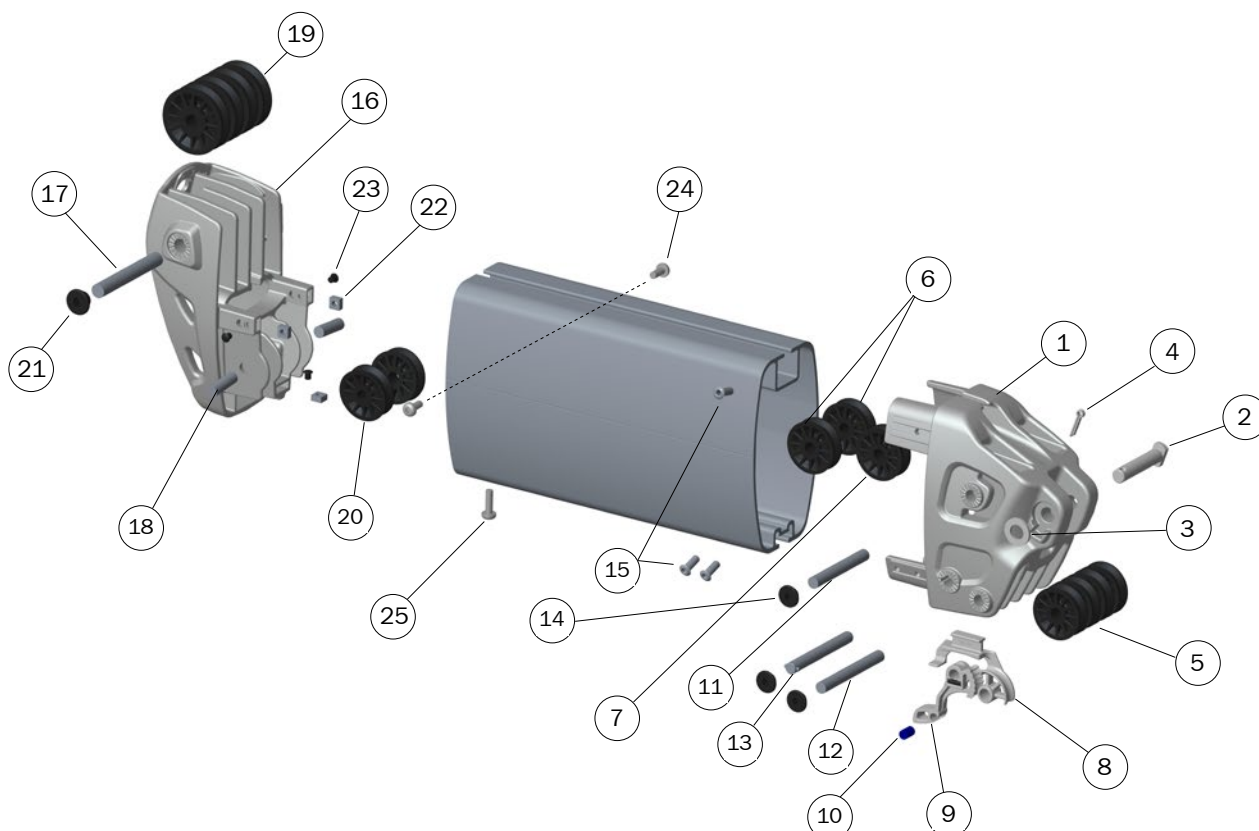


Inboard boom end B172, B199

Item	Description	B172			B199		
		Dimension	Qty	Part No.	Dimension	Qty	Part No.
1	Inboard end fitting	B172	1	509-114	B199	1	509-115
2	Clevis pin	Ø12x64	1	165-421	Ø16x72	1	165-425
3	Washer	M12	1	164-404	M16	1	164-410
4	Split pin	3.7x18	1	301-061	Ø4.6x28	1	301-054
5	Sheave (fwd)	Ø45/10-13	4	504-321	Ø57/12-16	4	504-373
6	Sheave (SLR)	Ø45/10-13	2	504-321	Ø45/12-16	2	504-502
7	Sheave (outhaul)	Ø38/10-13	1	504-321	Ø45/12-16	1	504-502
8	Jammer housing	77x14	4	511-279	90x17	1	511-281
9	Jammer lever	60x13	4	511-280-01	93x15	1	511-282-01
10	Plug – (set of six colours)	Ø8x12	1	319-529-01	Ø8x12	1	319-529-01
11	Shaft (upper)	Ø10x77	1	166-446	Ø12x95	1	166-467
12	Shaft (fwd)	Ø10x88	1	166-447	Ø12x105	1	166-449
13	Shaft (jammer)	Ø10x88	1	166-462	Ø12x105	1	166-468
14	Retaining plug	M12	3	319-828	M14	3	319-829
15	Pop rivet	ø6.4x17.8	6	167-002	ø6.4x17.8	6	167-002

Outboard boom end B172, B199

Item	Description	B172			B199		
		Dimension	Qty	Part No.	Dimension	Qty	Part no.
16	Outboard end fitting	B172	1	500-114	B199	1	500-115
17	Shaft (upper)	Ø10x77	1	166-446	Ø14x105	1	166-469
18	Shaft (SLR)	Ø10x31	2	166-442	Ø14x40	2	166-470
19	Sheave (upper)	Ø45/10-11	4	504-504	Ø70/14-16	4	504-333
20	Sheave (SLR)	Ø45/10-11	2	504-504	Ø57/14-16	2	504-374
21	Retaining plug	M12	3	319-828	M16	1	319-830
22	Square nut	M6	3	157-509	M6	3	157-509
23	Retaining plug	Ø5.5x8	3	319-650	Ø5.5x8	3	319-650
24	Screw	MRT 6x14	2	155-623	MRT 6x20	2	155-621
25	Screw	MRT 6x16	1	155-610	MRT 6x20	1	155-621



Outhaul B153-B199

Conventional outhaul	Boom dimension: B153				
	Item	Description	Dimension	Qty	Part no.
	A1	OUTHAUL CAR "4"	68x48x26	1	511-503 ¹⁾
	A2	WHEEL	ø23.7/8.2-10.5	4	504-513
	A3	SHACKLE	M10x20x40	1	307-024
	-	Recommended wire size	ø4 - 7x19	⁴⁾	602-002
	-	Recommended line size	ø10 Braid line	-	611-009
	A4	Outhaul stop	28x28x30		319-861

Conventional outhaul	Boom dimension: B172				
	Item	Description	Dimension	Qty	Part no.
	A1	OUTHAUL CAR "4"	68x48x26	1	511-503 ¹⁾
	A2	WHEEL	ø23.7/8.2-10.5	4	504-513
	A3	SHACKLE	M10x20x40	1	307-024
	-	Recommended wire size	ø5 - 7x19	⁴⁾	602-003
	-	Recommended line size	ø10 Braid line 32/3	-	611-022
	A4	Outhaul stop	28x28x30	1	319-861

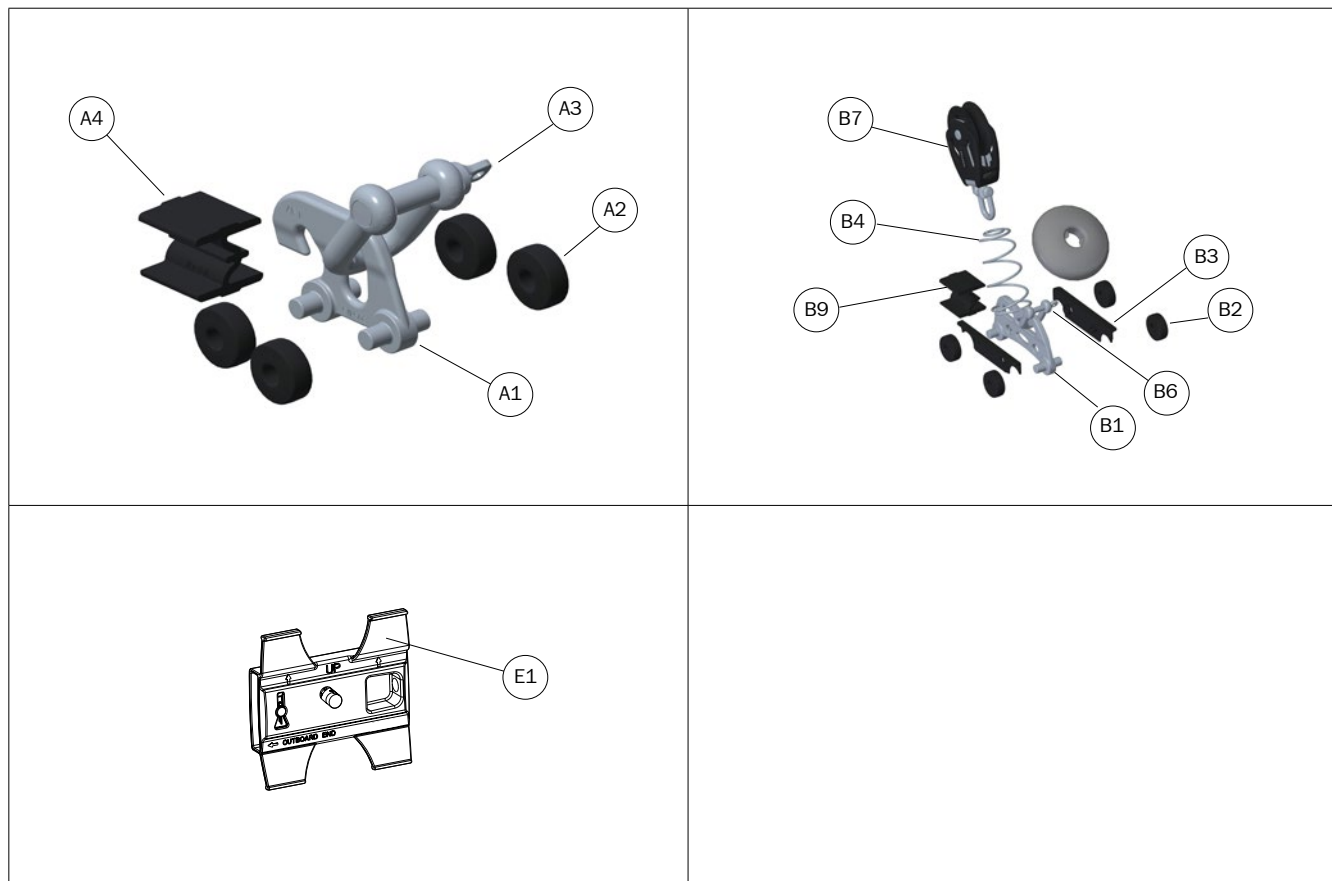
Conventional outhaul	Boom dimension: B199				
	Item	Description	Dimension	Qty	Part no.
	A1	OUTHAUL CAR "4"	68x48x26	1	511-503 ¹⁾
	A2	WHEEL	ø23.7/8.2-10.5	4	504-513
	A3	SHACKLE	M10x20x40	1	307-024
	-	Recommended wire size	ø5 - 7x19	⁴⁾	602-003
	-	Recommended line size	ø10 Braid line 32/3	-	611-022
	A4	Outhaul stop	28x28x30	1	319-861

In-mast furling outhaul	Boom dimension: B153 & B172				
	Item	Description	Dimension	Qty	Part no.
	B1	OUTHAUL CAR "4"	92x50x26	1	511-502 ²⁾
	B2	WHEEL	ø23.7/8.2-10.5	4	504-513
	B3	SLIDING INSERT	93x20	2	530-726
	B4	SPRING	ø2.25/Dy36.5-26/L70	1	308-074
		Recommended line size	ø10 Braid line 32/3	-	611-022
	B6	SHACKLE	M6x13x25	1	307-020
	B7	BLOCK	PBB50 SINGLE	1	405-001-01
	B9	Outhaul stop	28x28x30	1	319-861

In-mast furling outhaul	Boom dimension: B199				
	Item	Description	Dimension	Qty	Part no.
	B1	OUTHAUL CAR "4"	92x50x26	1	511-502 ²⁾
	B2	WHEEL	ø23.7/8.2-10.5	4	504-513
	B3	SLIDING INSERT	93x20	2	530-726
	B4	SPRING	ø2.25/Dy36.5-26/L70	1	308-074
		Recommended line size	ø12 Braid line 32/3	0	611-023
	B6	SHACKLE	M8x16x32	1	307-021
	B7	BLOCK	PBB60 SINGLE	1	406-001-01
	B9	Outhaul stop	28x28x30	1	319-861

Outhaul

1)	Also as a package A1-A2	1	511-503-01
2)	Also as a package B1-B3	1	511-502-01



Sliders

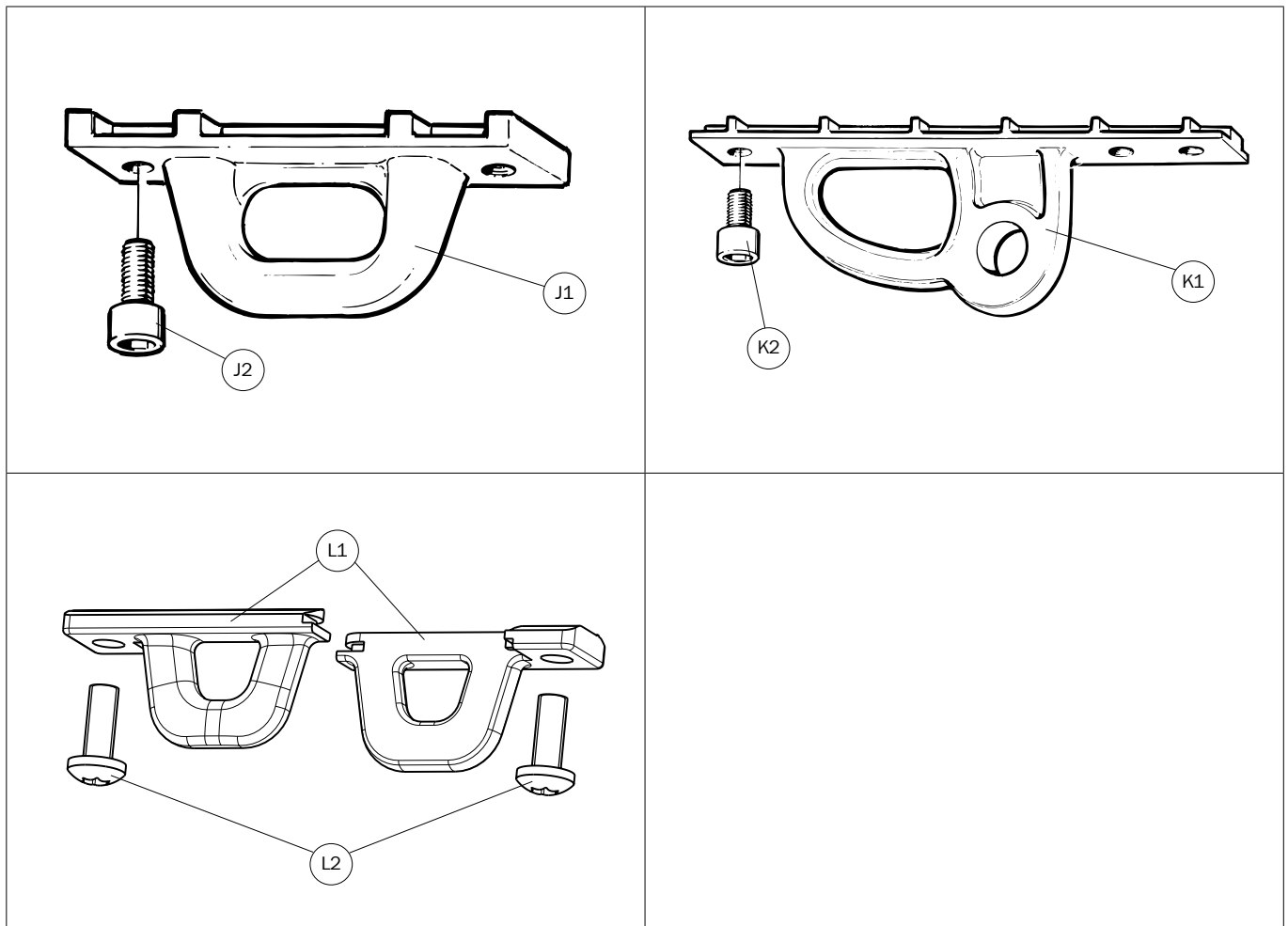
B153, B172

Item	Description	Dimension	Qty	Part no.
J1	Main sheet slider	T25-82	1 ⁵⁾	511-571
J2	Screw	MRX 6x12	2	155-613
K1	Kicker slider	T25-140	1	511-800
K2	Screw	MC6S 8x16	3	153-006
L1	Rope location eye	57x33	2	511-636
L2	Screw	MRT-TT 6x12	2	155-703

B199

Item	Description	Dimension	Qty	Part no.
J1	Main sheet slider	T32-98	1 ⁵⁾	511-572
J2	Screw	MC6S 8x16	2	153-006
K1	Kicker slider	T32-180	1	511-801
K2	Screw	MC6S 10x16	3	153-011
L1	Rope location eye	63x41	2	511-637
L2	Screw	MRT-TT 6x12	2	155-703

5) If the main sheet is attached more than 1.5 m from the outboard boom end, two sliders are recommended to distribute the main sheet load.

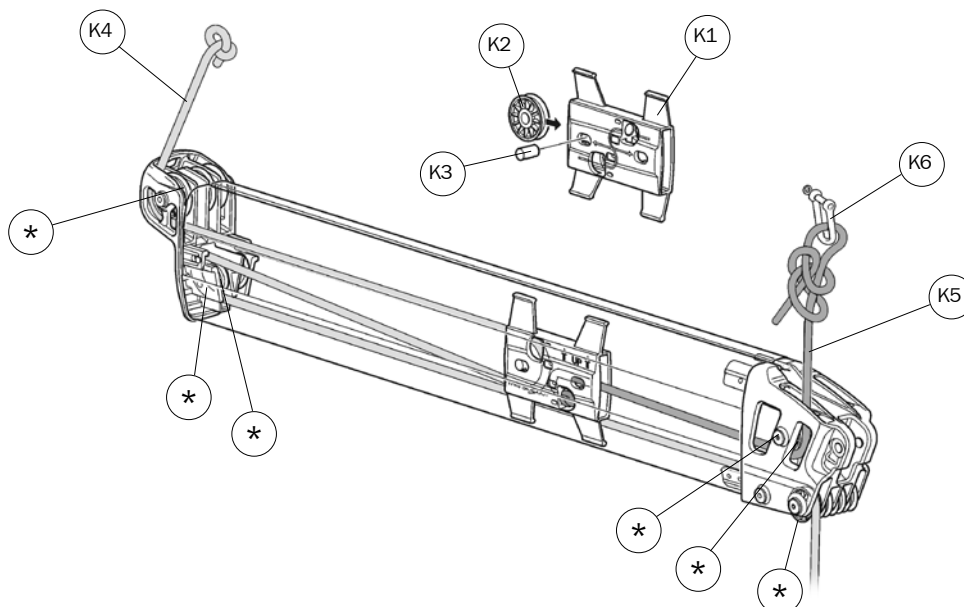


Single line reef

Boom dimension: B153				
Item	Description	Dimension	Qty	Part no.
K1	SLR Block	168x144	1	538-010
K2	Sheave	Ø 45/10-11	1	504-321
K3	Shaft	Ø 10x24	1	172-056
K4	Starboard: Braid line, Blue	Ø 10	1	611-011
K4	Portboard: Braid line, Red	Ø 10	1	611-010
K5	Starboard: Braid line, Blue	Ø 10	1	611-011
K5	Portboard: Braid line, Red	Ø 10	1	611-010
K6	Shackle	M8x16x32	1	307-021

Boom dimension: B172					Boom dimension: B199		
Item	Description	Dimension	Qty	Part no.	Dimension	Qty	Part no.
K1	SLR Block	168x161	1	538-012	206x186	1	538-014
K2	Sheave	Ø 57/14-13	1	504-348	Ø 70/14-16	1	504-333
K3	Shaft	Ø 14x27	1	172-041	Ø 14x32	1	172-057
K4	Starboard: Braid line, Blue	Ø 10	1	611-011	Ø 12	1	611-015
K4	Portboard: Braid line, Red	Ø 10	1	611-010	Ø 12	1	611-014
K5	Starboard: Braid line, Blue	Ø 10	1	611-011	Ø 12	1	611-015
K5	Portboard: Braid line, Red	Ø 10	1	611-010	Ø 12	1	611-014
K6	Shackle	M8x16x32	1	307-021	M8x16x32	1	307-021

* See page 4 and 5 for part number correspondence boom size.



DINGHIES KEELBOATS YACHTS

Seldén Mast AB, Sweden
Tel +46 (0)31 69 69 00
e-mail info@seldenmast.com

Seldén Mast Limited, UK
Tel +44 (0) 1329 504000
e-mail info@seldenmast.co.uk

Seldén Mast Inc., USA
Tel +1 843-760-6278
e-mail info@seldenus.com

Seldén Mast A/S, DK
Tel +45 39 18 44 00
e-mail info@seldenmast.dk

Seldén Mid Europe B.V., NL
Tel +31 (0) 111-698 120
e-mail info@seldenmast.nl

Seldén Mast SAS, FR
Tel +33 (0) 251 362 110
e-mail info@seldenmast.fr

www.seldenmast.com

Dealer:

The Seldén Group is the world's leading manufacturer of mast and rigging systems in carbon and aluminium for dinghies, keelboats and yachts. The range was extended with deck hardware in 2008.

The Group consists of Seldén Mast AB in Sweden, Seldén Mast A/S in Denmark, Seldén Mast Ltd in the UK, Seldén Mid Europe B.V. in the Netherlands, Seldén Mast SAS in France, Seldén Mast Inc. in the USA and Seldén Mast Asia Ltd in Hong Kong. Our well known brands are Seldén and Furlex. The worldwide success of Furlex has enabled us to build a network of over 750 authorised dealers covering the world's marine markets. So wherever you sail, you can be sure of fast access to our service, spare parts and know-how.

SELDÉN and FURLEX are registered trademarks of Seldén Mast AB

 **SELDÉN**