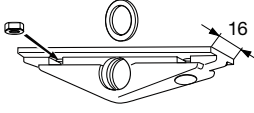
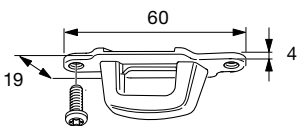
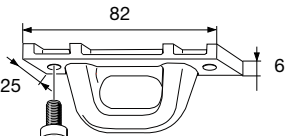
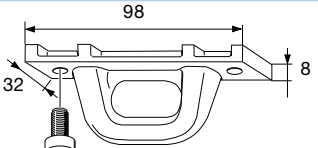
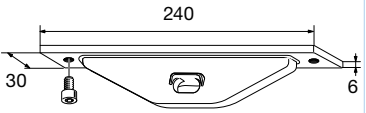


# Reef line kits and sliders

## Main sheet sliders


Fitting	Art. No.	Boom section
	511-555-02	86/59
	511-641-01	B087 B104
	511-571-01	B120 B135 143/76 B152 B171 B190*
	511-572-01	B200 B230* B250
	511-616-01	B290 B300

\* Webbing is often used as sheet attachment.

## Lazyjack slider

Two part polyamide slider for Lazyjacks. Fits in the groove without removing the boom end.

**For use with Lazyjacks and reef lines for loose footed sails only.**

Fitting	Art. No.	Includes	B	Boom section
	511-636-01	One slider	18	B120-171
	511-636-02	Two sliders with M6 screws (selftapping) and Ø 5.3 drillbit		
	511-637-01	One slider	25	B200-250
	511-637-02	Two sliders with M6 screws (selftapping) and Ø 5.3 drillbit		



## Retrofit outhaul track

This track can be retrofitted to an old boom and significantly improve the outhaul function.

A 400 mm track with a ball bearing car is mounted in the sail track to simplify adjustment of the outhaul tension of a loose footed sail. A complete kit including track, traveller, end caps and fasteners (8 x 16 mm) for the sail track. Just remove the boom end, slide in the track and tighten the screws. Art. No. 511-580-11R.



## Single Line Reef kits

Boom section	Rope dia mm	Complete kit (reef 1 and 2 + outhaul) Art. No.	Excl. reef lines Art. No.
B120	8	611-007-10*	611-007-11
B135	10	611-011-14	611-011-15
143/76	10	611-011-04*	611-011-09
B152	10	611-011-16	611-011-17
B171	10	611-011-12*	611-011-13
B171 (2008-)	10	611-011-24	611-011-25
B200	12	611-015-04	-
B200 (2008-)	12	611-015-24	-
B250	12	611-015-25	-

\* Outhaul included.

## Jam lever kits

Boom section	Art. No.
B135	511-074-21
143/76	511-072-11
B152	511-074-22
B171	511-072-12 (-2007) 511-072-22 (2008-)
B200	511-071-11 (-2007) 511-071-21 (2008-)
B250	511-071-22

Complete kit of colour coded jam levers with pins.