

Instruction for assembly Line lock Furlex 200/300 S

Kit No. 200S: 539-256-02

Kit No. 300S: 539-256-03

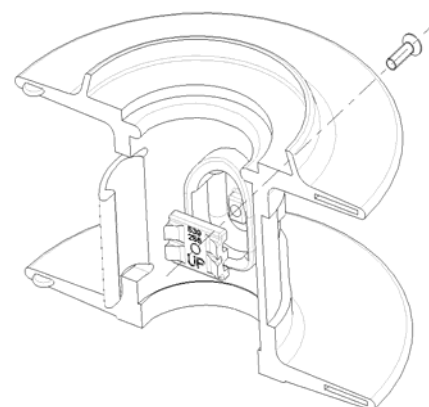
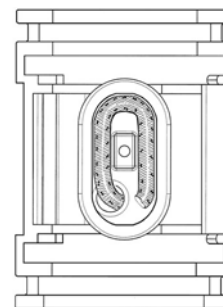
Tools needed:

Torx-Key T25

Place furling line and line lock in the line drum half
and tighten the screw hard.



www.seldenmast.com



Instruction for assembly Line lock Furlex 200/300 S

Kit No. 200S: 539-256-02

Kit No. 300S: 539-256-03

Tools needed:

Torx-Key T25

Place furling line and line lock in the line drum half
and tighten the screw hard.



www.seldenmast.com

