

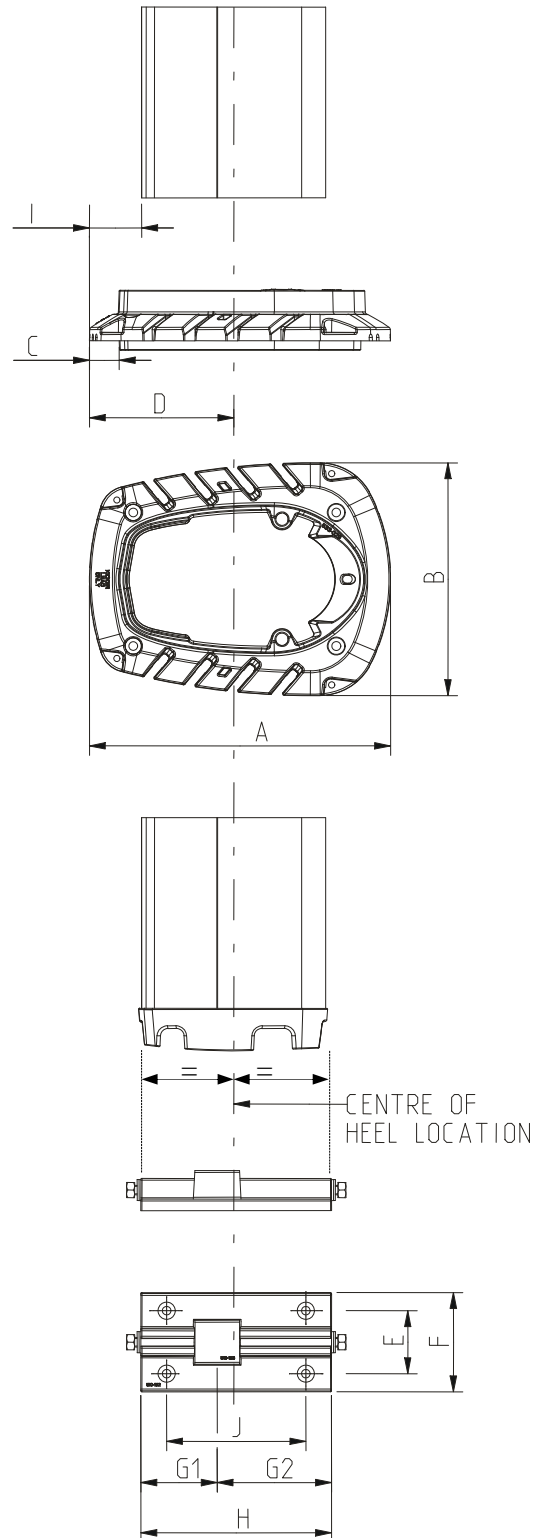
Deckring/ T-base location

Values applies to vertical mast. -No rake or mast bend

Mast	C156	C175/F176	C193/F194
Deckring	533-030	533-029	533-029
T-base	510-152-01	510-152-01	510-152-01
A	276	316	316
B	240	244	244
C	32	31	31
D	130	150	151
E	66	66	66
F	104	104	104
G1	101	85	83
G2	99	115	117
H	200	200	200
I	52	54	63
J	146	146	146
Fastners 510-152-01: 4 x m8			

Mast	C211 / F212	C227 / F228	C245 / F246
Deckring	533-022	533-022	533-023
T-base	510-134-01	510-134-01	510-134-01
A	349	349	401
B	296	296	340
C	28	28	32
D	165	165	189
E	80	80	80
F	125	125	125
G1	125	125	125
G2	125	125	125
H	250	250	250
I	60	50	65
J	180	180	180
Fastners 510-134-01: 4 x m8			

Mast	C264 / F265	C285 / F286	C304 / F305
Deckring	533-023	533-024	533-024
T-base	510-143-01	510-143-01	510-143-01
A	401	450	450
B	340	366	366
C	32	34	34
D	189	213	213
E	90	90	90
F	160	160	160
G1	175	175	175
G2	175	175	175
H	350	350	350
I	55	70	60
J	240	240	240
Fastners 510-143-01: 4 x m8			



Mast	C321/F324	C365/F370	F406 *)
Deckring	533-038	533-038	533-035/036
T-base	510-125	510-125	510-190
Mounting plate	510-126	510-126	510-191
A	520	573	603
B	382	410	333
C	46	46	68
D	261	292	301
E1	100	100	See PS840
E2	110	110	
F	180	180	230
G1	223	223	279
G2	257	257	251
H	406	406	530
I	103	110	See PS839
J	275	275	See PS840

*) NOTE! Deckring 533-035/036 does not have provision for turning blocks

