

Furlex Hydraulic

ORDER FORM

595-710-E
2002-06-04

Client

Boat

Order nr

Phone

Fax

Date Seldén reference

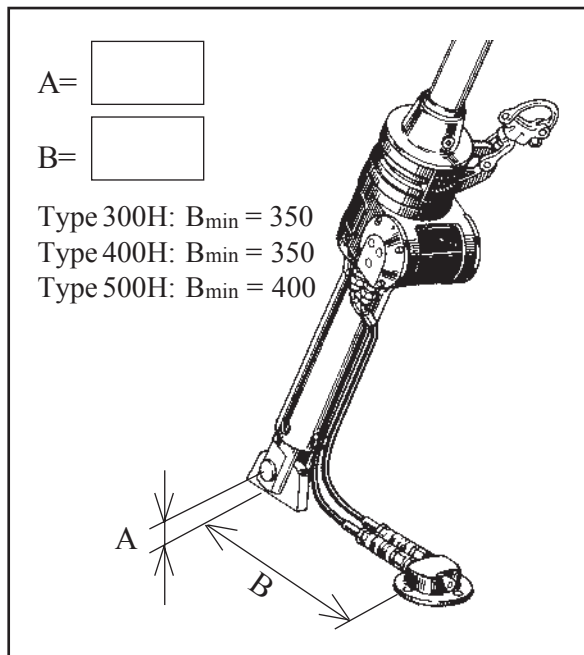


Fig 1: Through-deck fitting on centre line

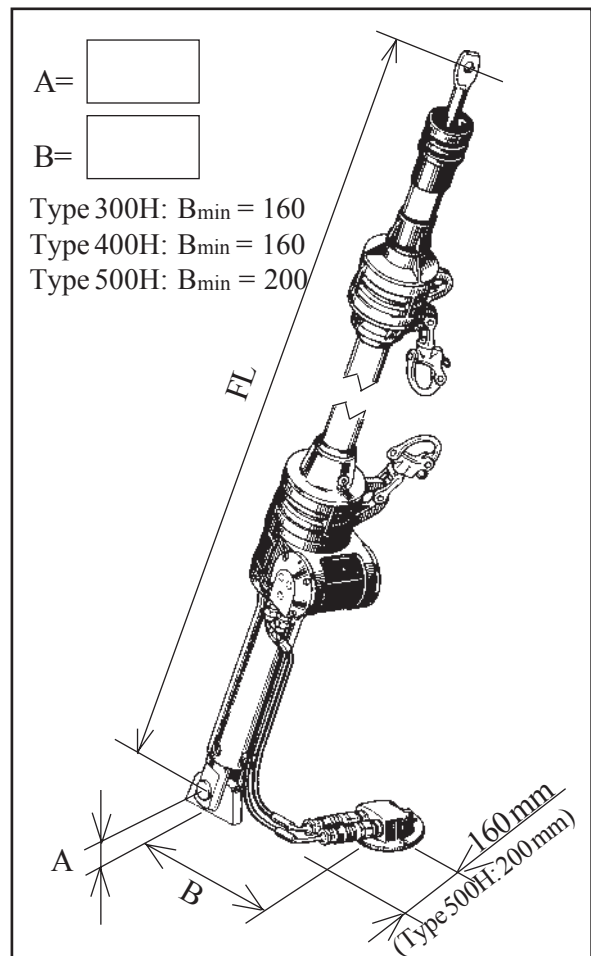


Fig 2: Through-deck fitting off centre

- Yes No Is there any hydraulic operated equipment on the boat already?
- Yes No If so, is the existing power pack sufficient?

Power pack requirements			
Furlex type	Effect kW	Oil flow l/m	Oil pressure bar
300, 400	1.5	10	max 140
500	3.0	20	

Parts required from Seldén

- Yes No A complete kit. Wire dim \emptyset mm Forstay length (FL) mm
- Yes No Conversion kit: Drive unit pack, 1-M extrusion (Furlex Hydraulic design) and Control pack.
- Yes No Deck gland protection 508-193.
- Yes No Rod bushing. Type of rod:
- Yes No Commander 20 Power Pack 12 V 24 V Qty of functions (1-4)
- Note: Commander 20 Power Pack is not sufficient for Furlex type 500H!**
- Yes No Control pack (switches and through-deck fitting) to be sent on beforehand. (Convenient for boats under production.)

FURLEX
 **SELDÉN**

 **SELDÉN**

Redegatan 11 S-426 77 V. Frölunda Sweden
 Telephone +46 31 69 69 00 Telefax +46 31 29 71 37