



SELF TACKING JIB SYSTEM

22

30

The ideal combination for convenience and performance - self tacking jib and Code 0.

CUSTOM TRACKS

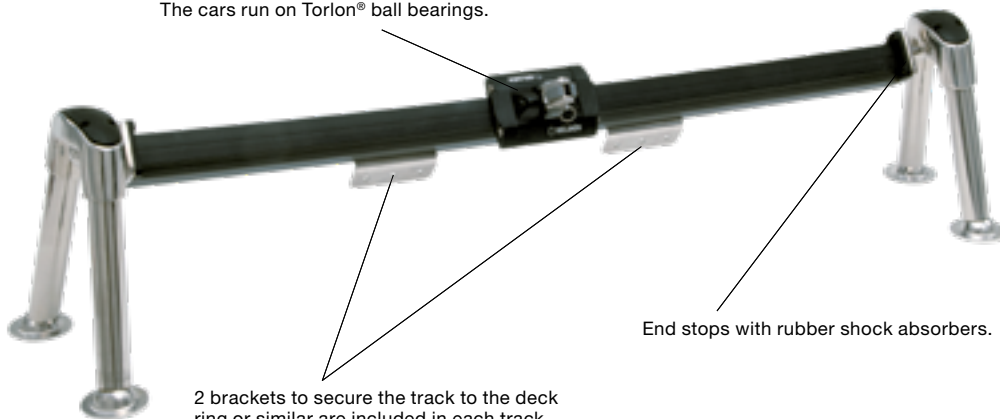
Seldén provide customized curved tracks in sizes 22, 30 and 42 mm on request. An enquiry form, 595-952-E, is available at www.seldenmast.com.

Ball-joint for adjustment of the track angle and console angle.



Stainless steel AISI 316 side consoles. Can be shortened if needed.

The cars run on Torlon® ball bearings.



End stops with rubber shock absorbers.

2 brackets to secure the track to the deck ring or similar are included in each track assembly.

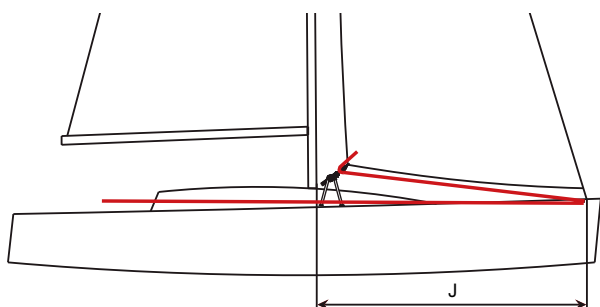
SELF TACKING JIB SYSTEMS

A self-tacking jib makes life on board a lot easier, in particular for short handed crews. The jib sheet is led to a car which moves to leeward during the tack with no need to touch the sheet. Tacking is as simple as steering the boat through the wind.

For retro-fit installations on boats ranging from 25' to 45', High Beam tracks with a standard radius and standard length can be ordered from stock. The side consols, deck fittings and a car are added to complete the system. A ball-joint allows for perfect alignment of the track to a 90° angle to the direction of load and for an easy installation to the deck or coach side.

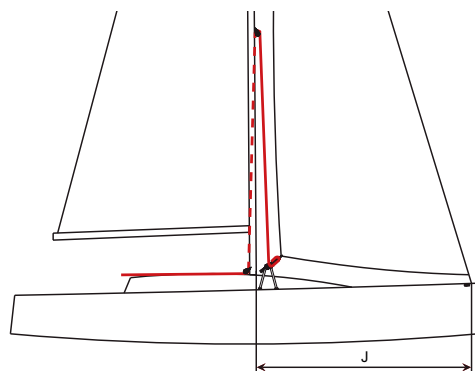
This is how to order a self tacking system:

1. SHEET ARRANGEMENT OPTIONS



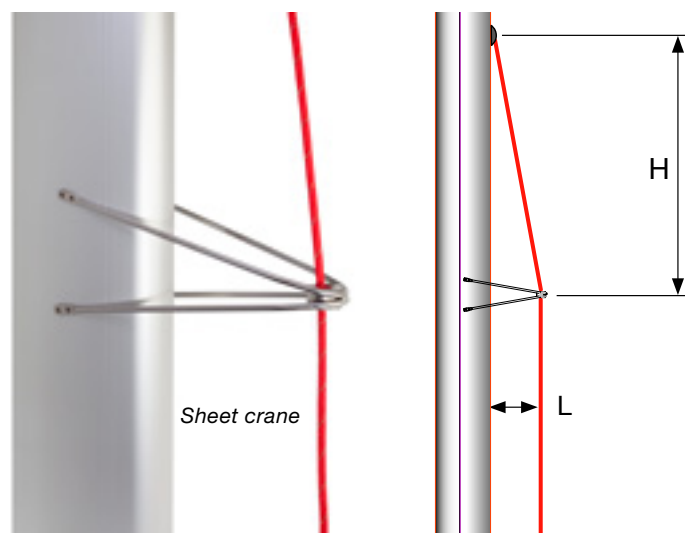
OVER THE FORE DECK

This is the simplest and most common arrangement. The sheet is led from the clew, through a single block on the car, through a block at the bow and back to the cockpit.



UP THE MAST

The advantage of leading the sheet up through the mast and back to the cockpit is to keep the foredeck clean from lines. It requires a 2:1 purchase on the sheet and consequently a single/bucket block is used on the car. The sheet is led from the car, up the front of the mast and in to the mast through a sheave box installed at a height of 50% of the fore triangle. The sheet exits the mast through a slot fitting and turns through a block at the foot of the mast and back to the cockpit. The deck light and the steaming light on the mast might need to be relocated. Sheet cranes are available for boats fitted with a VPS (Vertical Pole Stowage) system.



SHEET CRANE

Mast section	Max RM at 30°, kNm	Sheet crane Art.No. Length, mm (L)	Sheet exit box, Art. No.	Min distance between sheet box and crane, mm (H)	Max line size, ø mm
C227-C304 F228-F305	170	508-094-01 L=200	505-016-01	1200	12
C264-C365 F265-F370		508-093-01 L=275	505-015-01	1500	14

2. SELECT TRACK

System	J-measurement, mm	Art. No.	Description	For sheet arrangement
ST22	-3700	442-011-40	Radius 3000 mm, Length 1700 mm	Over the fore deck
	3700-4700	442-011-41	Radius 4000 mm, Length 1800 mm	
ST30	3700 – 4700	443-011-41	Radius 4000 mm, Length 1800 mm	
	4700 – 6000	443-011-42	Radius 5000 mm, Length 2500 mm	
	3400 – 4700	443-011-43	Radius 6500 mm, Length 1800 mm	Up the mast
	4700 – 6000	443-011-44	Radius 8000 mm, Length 2500 mm	

3. SELECT CAR

System	Righting moment of the boat at a 30° heel angle, kNm	Approximate displacement, ton	Car Art. No.	Description
ST22	<35	<6	442-148-01	Single car
	>35	>6	442-148-02	Double car
ST30	<60	<10	443-139-01	Single car
	>60	>10	443-139-02	Double car

4. SELECT DECK FITTING

Art. No.	Description
ST22: 442-208-10 ST30: 443-208-10	<p>Deck fitting for a permanent installation on the deck. The fitting articulates and adapts to various deck angles. The system is fixed with a through-bolt from the underside of the deck, through the deck fitting, console and upper bracket.</p>  <p>Parts included: 4 deck fittings 4 washers and nuts</p>
ST22: 442-206-10 ST30: 443-206-10	<p>Fittings for installations to the coach side or deck. Clevis pins connect the consols to the deck fittings allowing quick removal of the entire system from the boat. Ideal for sailors who occasionally want to optimize their boat for racing by use of overlapping jibs.</p>  <p>Parts included: 4 deck fittings including clevis pins 4 pcs connectors for the consols.</p>

5. ORDER SIDE CONSOLES

ST22: 442-200-10

ST30: 443-200-10

6. SELECT BLOCK

Single or single/becket depending on sheet arrangement.