

## Compulsory lights

International Regulations for Preventing Collisions at Sea, 1972, stipulate compulsory lights on all yachts. Seldén offers all the necessary lighting equipment to comply with the rules.



**Tricolour/white**  
with or without anchor light.



**Anchor light**  
Art. No. 526-163.



**Anchor light/steaming light**  
Aquasignal series 50.  
Art. No. 526-022/-002.



**Steaming light**  
Available in two versions, for yachts less than 12 m and for yachts between 12 m and 20 m. Available in black composite or in stainless steel.

## Masthead lights, LED Aquasignal 34



Art. No. 526-036

Item	Conditions	Fitting	Art. No.	Type of masthead	Required cable Art. No.
Anchor light	For boats LOA <50 m Visibility 2nm	Base 508-560 incl.	526-036-02	15°	531-003
		Base 508-562 incl.	526-036-03	0°	
Tricolour lamp	For boats LOA <20 m Visibility 2nm	Base 508-560 incl.	526-075-02	15°	531-003
		Base 508-562 incl.	526-075-03	0°	
Anchor light and Tricolour lamp	For boats LOA <20 m Visibility 2nm	Base 508-560 incl.	526-038-02	15°	531-007
		Base 508-562 incl.	526-038-03	0°	
Steaming light with anchor light	For boats LOA <20 m Visibility 2nm	Base 508-560 incl.	526-070-02	15°	531-007
		Base 508-562 incl.	526-070-03	0°	

## Masthead lights

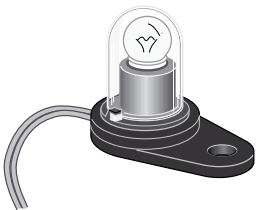


Fig 1.

Item	Conditions	Fitting	Art. No.	Type of masthead	Required cable Art. No.
Anchor light 12V	For boats <7 m (Scandinavia) <12 m (International)	Base 508-549-01 incl.	526-163-01	15°	531-003
		Base 508-562 incl.	526-163-02	0°	
Anchor light 12V/24V	For boats LOA <7 m	Stainless housing + screws MRT 5x10	526-022-03/06	0°	531-007
		Stainless housing, base 508-560 incl.	526-022-01/04	15°	
		Stainless housing, base 508-562 incl.	526-022-02/05	0°	
Anchor and steamlight 12V	For boats LOA <12 m	Stainless housing, base 508-562 incl.	526-026-01	0°	531-007
		Stainless housing, base 508-560 incl.	526-026-02	15°	
Windex light 12V	All	No fasteners required. Fit below Windex base.	526-153-01	See fig. 1	531-003
Windex light 24V			526-153-02		
Tricolour lamp, Quick fit. 12V/24V	For boats LOA <20 m	Base 508-560 incl.	526-020-02/05	15°	531-006
		Base 508-562 incl.	526-020-03/06	0°	
Tricolour lamp/White, Quick fit. 12V/24V	For boats LOA <20 m	Base 508-560 incl.	526-021-02/05	15°	531-007
		Base 508-562 incl.	526-021-03/06	0°	



**V-spreader integrated**

*In-spreader lighting is a good solution for improving working light on board. The in-spreader light is available for Seldén V-spreaders.*

**Floodlight**

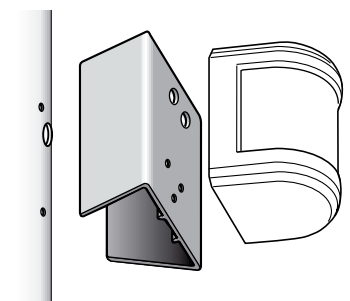
*Suits bigger mast sections. Completely protected against halyards and sails. Light guard, Art. No. 508-172-01.*

**In-boom light**

*The Seldén in-boom light comes in handy to light the cockpit or as a guide light when going down below. The in-boom lights are available for new Seldén boom section from 135/71 and upwards. Not available for retrofit.*

**Floodlight and steaming lights**

Item	Conditions	Fitting	Art. No.	Remarks	Required cable Art. No.
Floodlight, 12V/35W	All masts, front mounted	Black housing	526-156-01*	Pop rivets incl.	513-006
Floodlight, 24V/50W			526-156-02*		
Floodlight, 12V/35W		White housing	526-156-03*		
Floodlight, 24V/50W			526-156-04*		
Floodlight, 12V/35W	All masts, side mounted	Black housing	529-156-11*		
Floodlight, 24V/50W			529-156-12*		
Floodlight, 12V/35W		White housing	529-156-13*		
Floodlight, 24V/50W			529-156-14*		
Steaming lights, 12V/10W	For boats LOA <7 m (Scandinavia) <12 m (international)	Base 508-566 incl.	526-015-01		531-003
Steaming lights, 12V/25W	For boats LOA <12 m (Scandinavia) <20 m (international)	Base 508-614 incl.	526-009-03	Screws incl.	531-006
Steaming lights, 24V/25W			526-009-04		
Steaming lights, 12V/25W	For boats LOA <20 m	Protection loop 508-519 incl.	526-002-01	Fasteners incl.	
Steaming lights, 24V/25W			526-002-02		
Protection loop, alum. (2 pcs)	For use with Aquasignal steaming lights		508-519-02		
Protection loop, stainless	E274, C304, F305 and bigger		508-172-01		



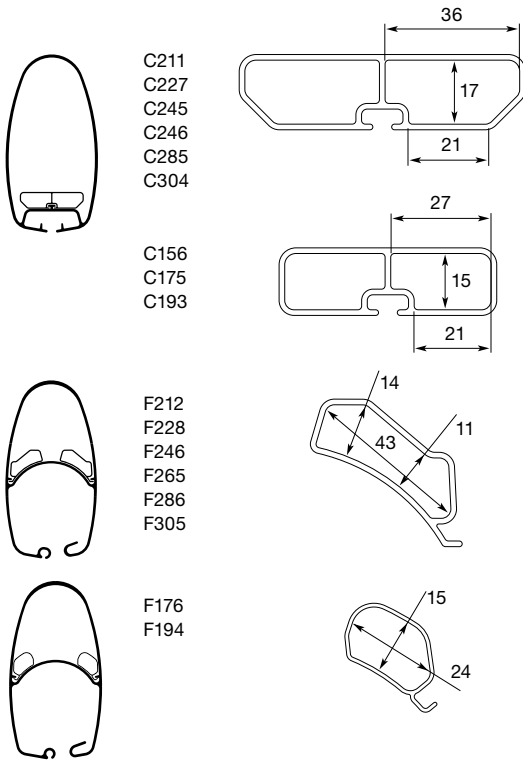
**Nylon base for light.**  
*Suits most lights and mast sections. Art. No. 535-614.*

\* Light insert: 12V (Art. No. 532-154), 28V (Art. No. 532-155).  
O-ring for floodlights Art. No. 530-365.

## Retro-fitting cables

For all D-sections, E-sections, P-sections and R-sections, please see our instruction "Running cables" 595-557-E. Also available from [www.seldenmast.com](http://www.seldenmast.com).

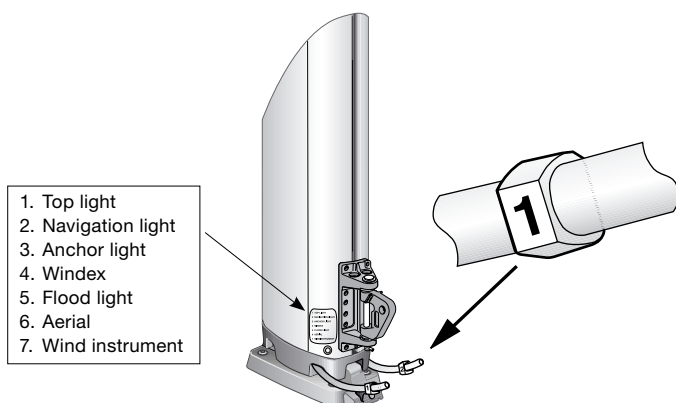
## Cable conduits



## Cables and dimensions

Light	Effect	Cable length, m	Required cable area, mm <sup>2</sup>	
Anchor light	10W	0-33	1.5	
		33-55	2.5	
Steaming lights and navigation lights	10W	0-13	1.5	
		13-22	2.5	
		25W	0-5	1.5
			5-9	2.5
Floodlight	45W	9-14	4	
		7-12	2.5	
		12-20	4	

All Seldén masts have a cable identification to facilitate connection when stepping the mast.



Cable for:	Cable area, mm <sup>2</sup>	Art. No.	Remarks
Wind instrument	10 x 0.25	531-012	Ø 7.3 mm
Windex light, anchor light and steaming lights	2 x 1.5	531-003	Ø 6.9 mm
Tricolour/white/strobe	4 x 2.5	531-018	Ø 8.6 mm
Tricolour lamp, floodlight and steaming lights	2 x 2.5	531-006	Ø 7.6 mm
Tricolour lamp/white, anchor and steaming lights	3 x 2.5	531-007	Ø 8.1 mm
Aerial	RG 213U	531-010	50 ohm (min. for VHF-radio according to German standard) Ø 10.2 mm (Cable terminal Art. No. 532-021)
	RG 58U	531-024	50 ohm, Ø 5.4 mm (Cable terminal Art. No. 532-023)



**Cable support**

Protects the cable from wear in the exit area. Lead the cable out through a Ø 14 mm hole, jam the support onto the cable and plug the hole. Max cable size: 2 x 2.5 mm<sup>2</sup> (Ø 7.6 mm). Art. No. 532-105.

