

Backstay Flicker

511-120-01 Backstay flicker small (for boats LOA <30 ft.)

511-121-01 Backstay flicker medium (for boats LOA 30-37 ft.)

- General
- Included parts
- Assembly Method

General

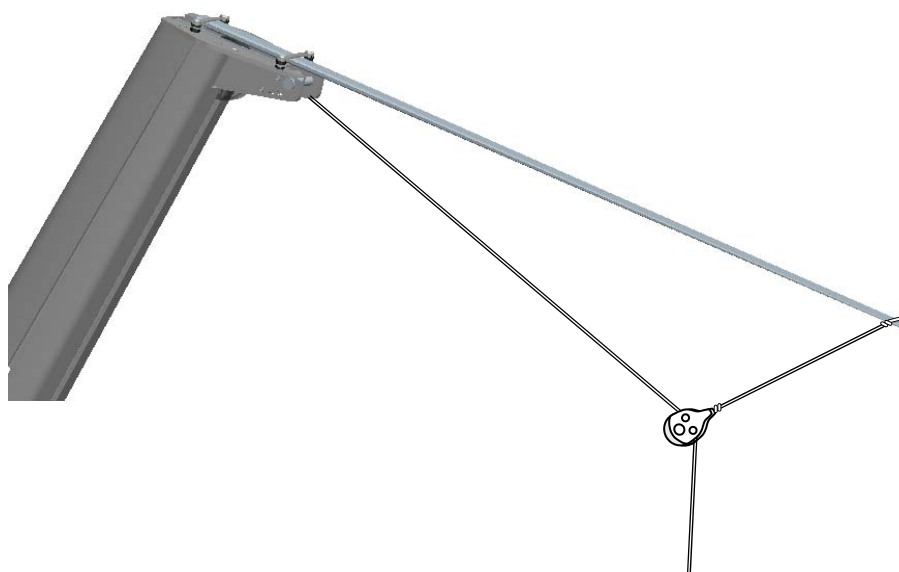
This product is designed for use on fractional rigs only. The backstay flicker is fitted on top of the headbox, and used to pull the backstay clear of the sail when gibing and taking. The backstay flicker is NOT designed to carry the extra load from runners and checkstays - ONLY THE WEIGHT OF THE BACKSTAY.

Masthead equipment such as lights, antenna and wind indicators may have to be moved and refitted.

Make sure that the backstay flicker has enough clearance to move freely under the instrument brackets etc, **when the backstay flicker is bent into sailing position!**

The clearance must be at least 5 mm between the instrument bracket, wind indicator fittings and other mast head equipment and the backstay flicker.

Modification of the mast top equipments may be necessary to secure the clearance.

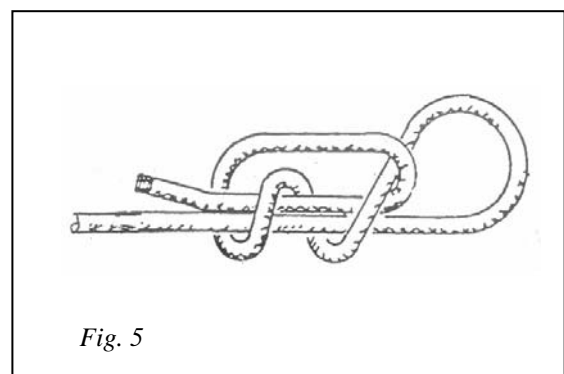
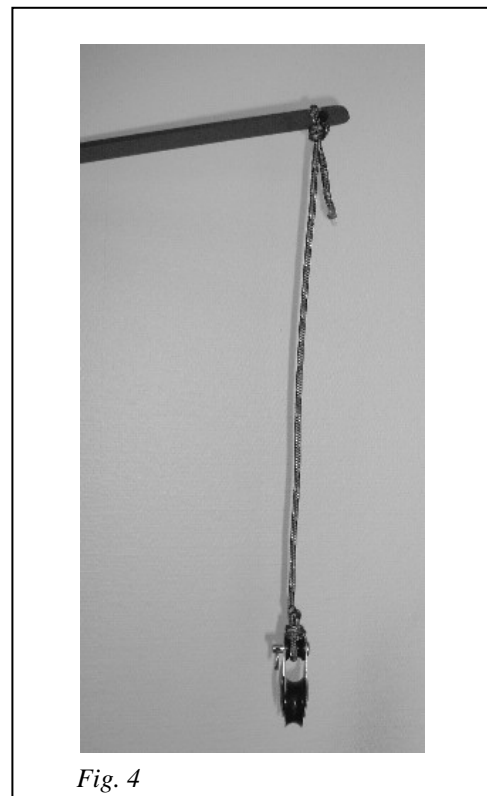
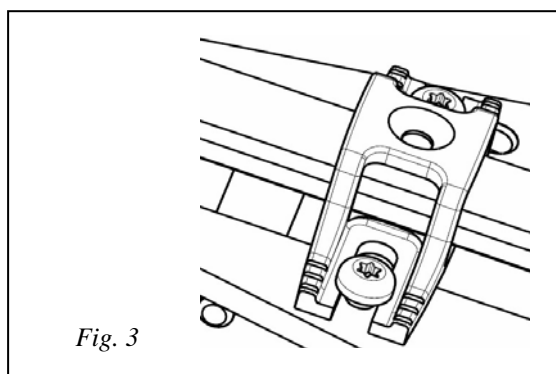
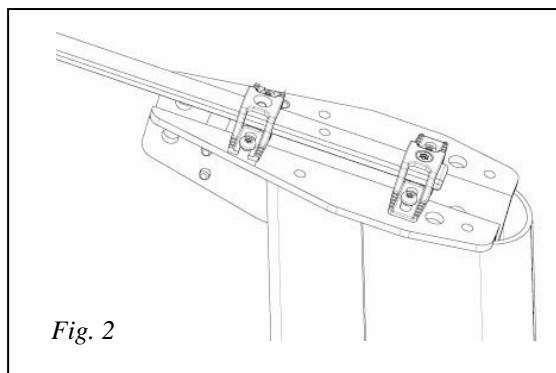
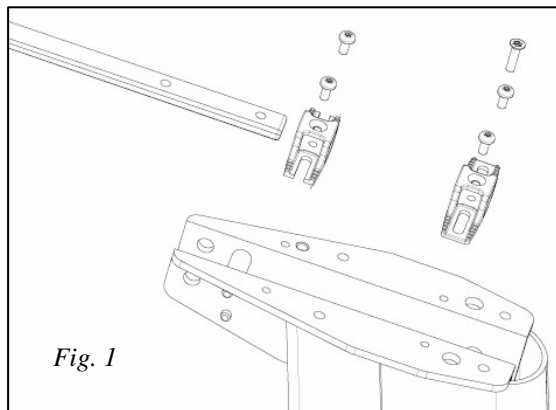


Parts included

	Qty
• 511-120-02/121-02 Backstay flicker	1
• 508-700 Bracket backstay flicker	2
• 155-701 M6 Self tapping Screws	4
• 162-026 M5 Screw	1
• 538-051 Block	1
• 592-006 Drillbit Ø 5.3 mm	1
• 613-236 Rope 0.8 m	1
• 595-223 Instructions for assembly	1

Assembly

1. Drill holes for the straps. The brackets should be placed at least 100 mm apart.
NOTE! Do not drill into the mast walls.
2. The brackets can be cut, to fit smaller headboxes, see fig. 2.
3. To insulate the selftapping stainless screws from the aluminum headbox. Apply water proof grease, Vaseline or anti-corrosive paste to the screws. Make sure that halyards and sheaves have enough space below the backstay flicker.
4. Fit the block to the backstay.
5. Slide the backstay flicker into place.
6. Fit the locking screw in the hole at the end of the backstay flicker.
7. Fit the line in the block and around the backstay flicker with running knots (See fig. 5). Adjust the length of the line to approximately 100 mm.



 **SELDÉN**

www.seldenmast.com

Sweden: Seldén Mast AB • Tel: +46 (0)31 69 69 00 • info@seldenmast.com
UK: Seldén Mast Ltd. • Tel: +44 (0)1329 50 40 00 • info@seldenmast.co.uk
USA: Seldén Mast Inc. • Tel: +1 843-760-6278 • info@seldenus.com

Denmark: Seldén Mast A/S • Tel: +45 39 18 44 00 • info@seldenmast.dk
The Netherlands: Seldén Mid Europe B.V. • Tel: +31 (0)111-698 120 • info@seldenmast.nl
France: Seldén Mast SAS • Tel: 33 (0) 251 362 110 • info@seldenmast.fr